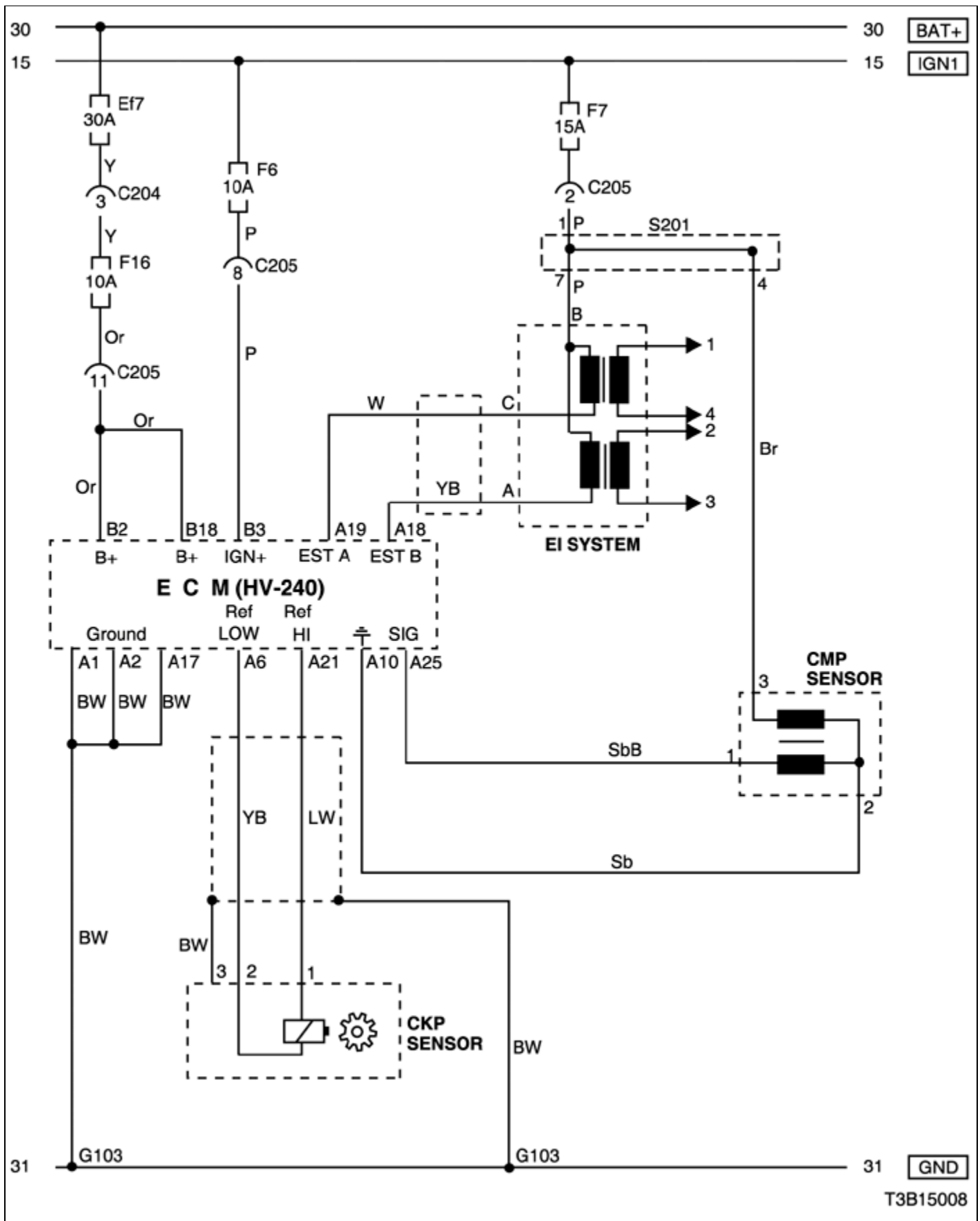


3. ECM (ENGINE CONTROL MODULE) : HV - 240

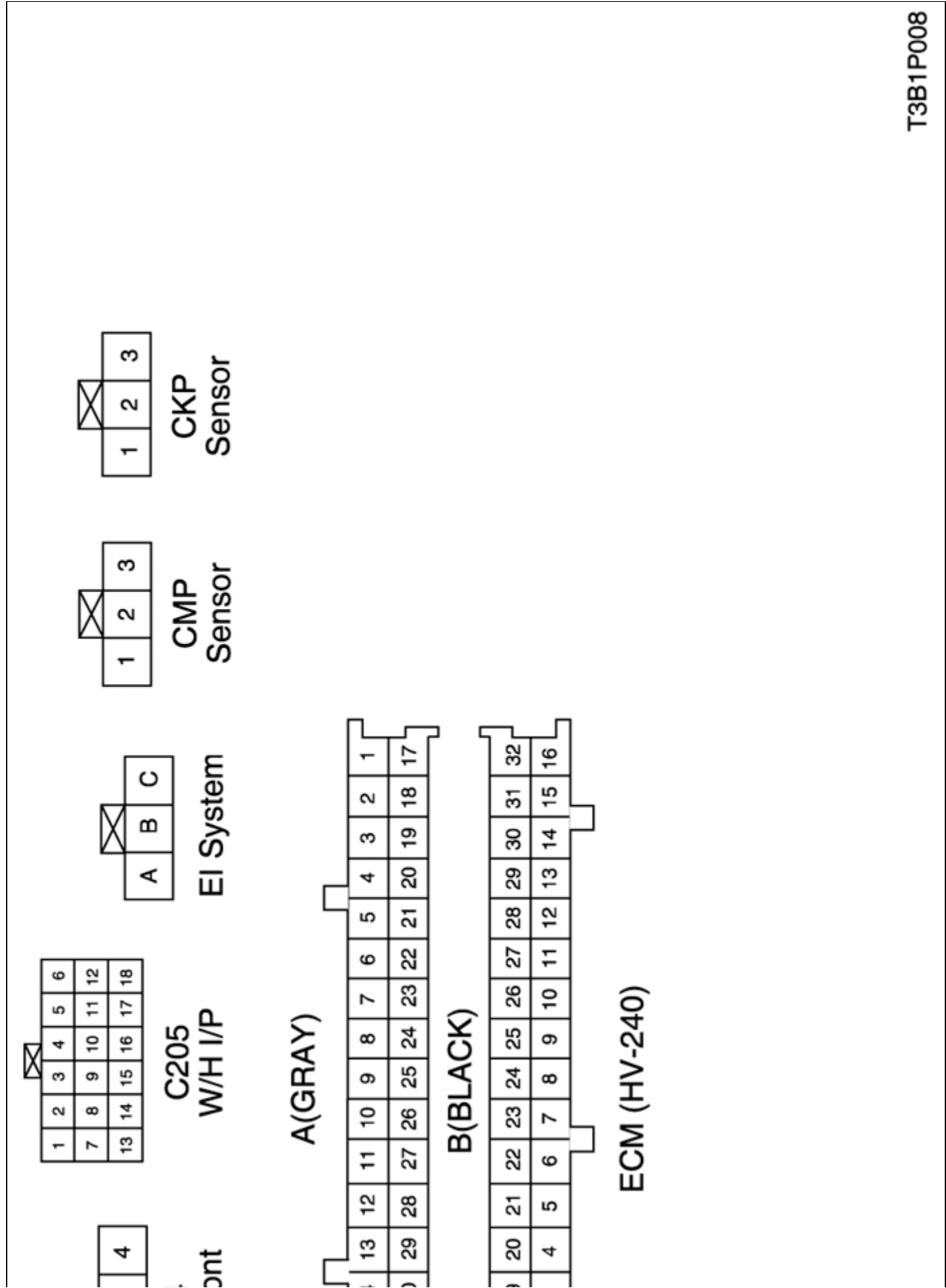
1) BATTERY POWER SUPPLY, GROUND, EI SYSTEM, CKP SENSOR & CMP SENSOR CIRCUIT



a. CONNECTOR INFORMATION

CONNECTOR NO (PIN NO, COLOR)	CONNECTING WIRING HARNESS	CONNECTOR POSITION
C204 (4 Pin, White)	Front – IP	Behind I/P Fuse Block
C205 (18 Pin, Gray)	IP – Engine	Behind I/P Fuse Block
G103	Engine	Next to #4 Injector

b. CONNECTOR IDENTIFICATION SYMBOL & PIN NUMBER POSITION

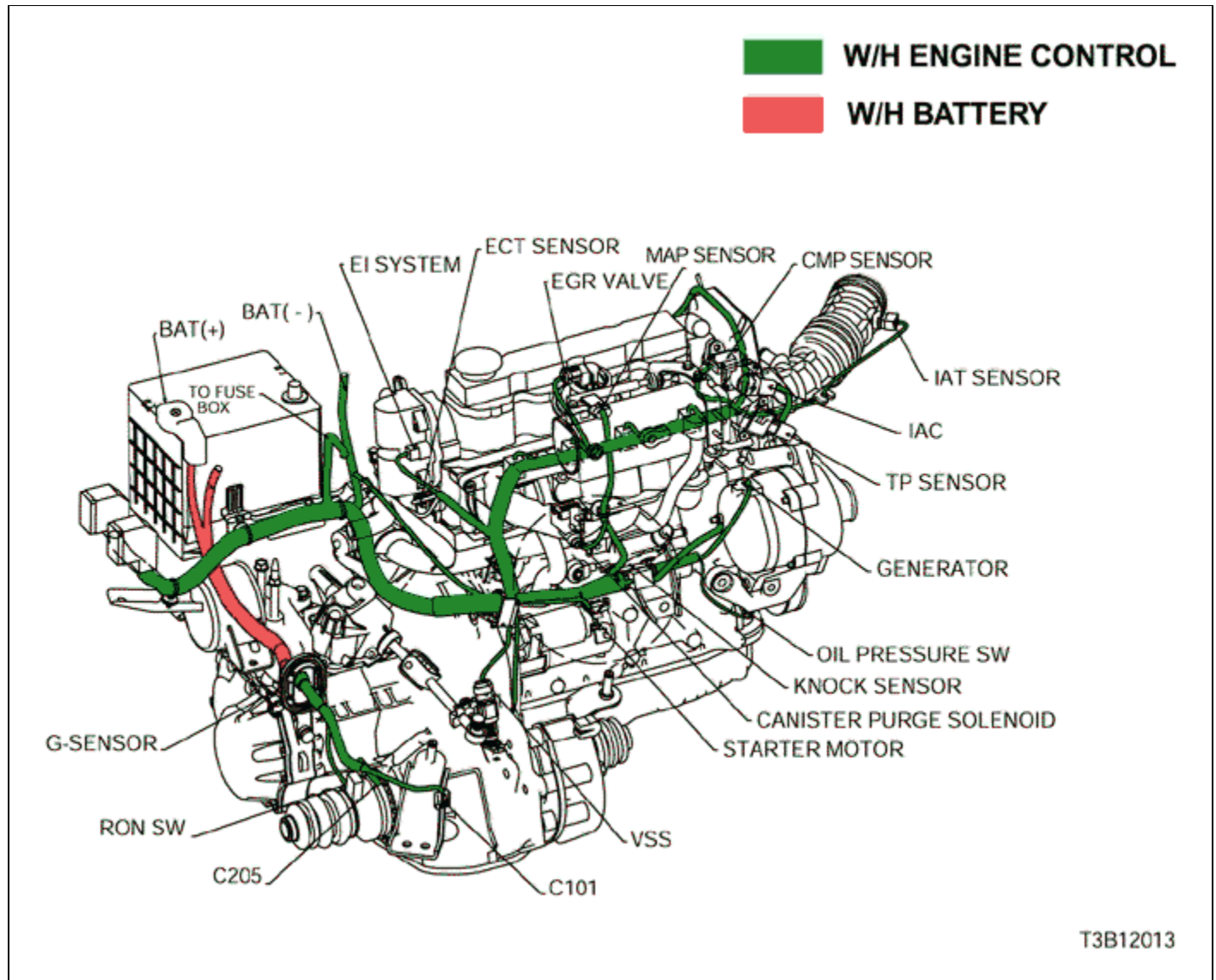


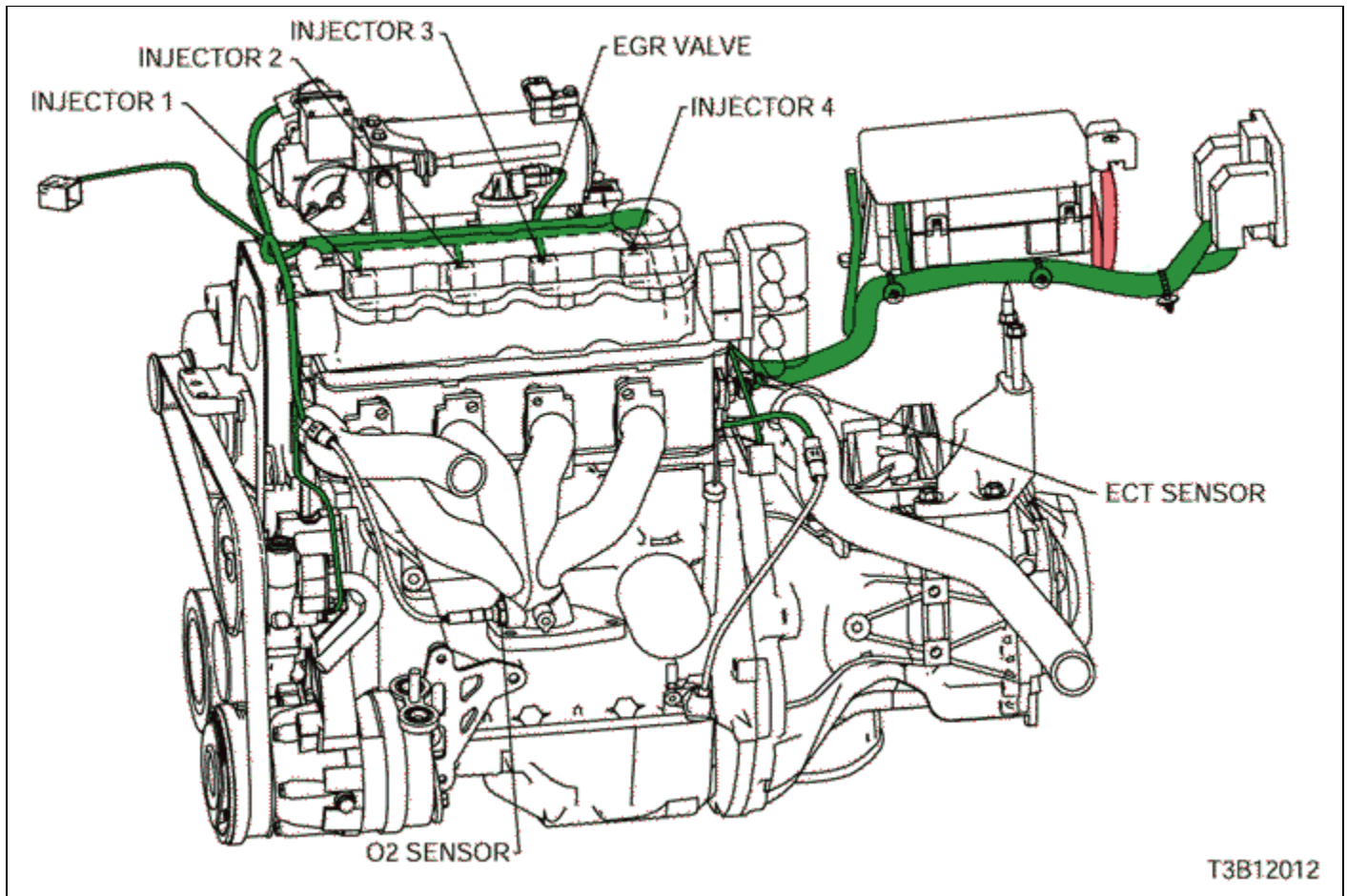
T3B1P008



c. POSITION OF CONNECTORS AND GROUNDS

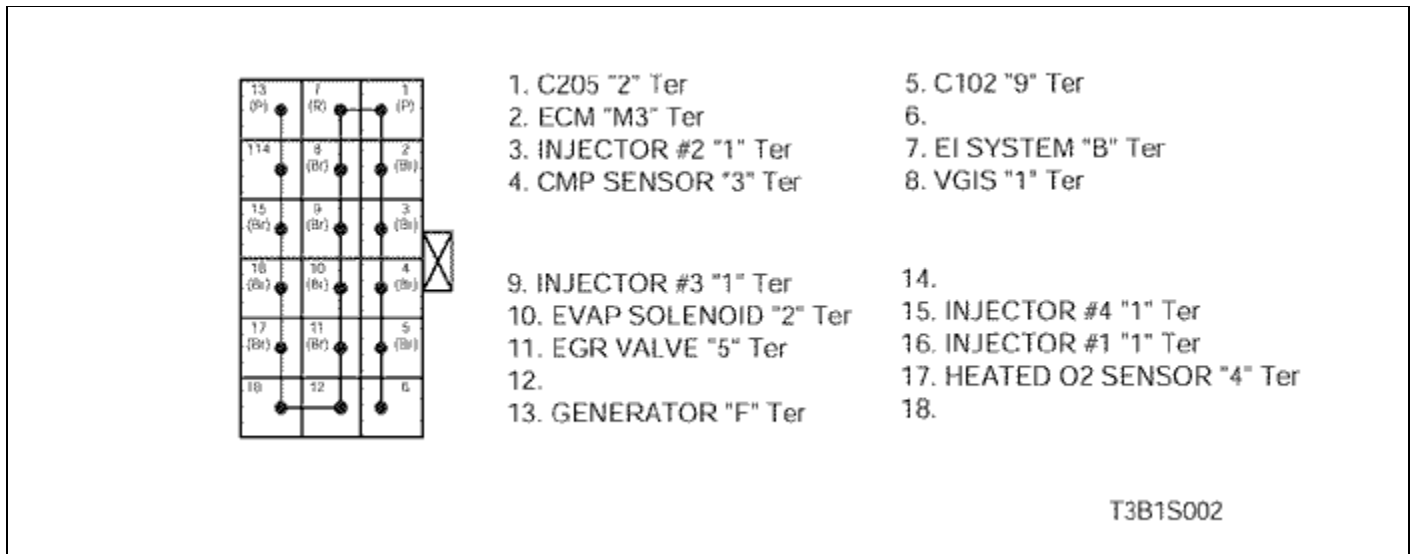
• W/H ENGINE



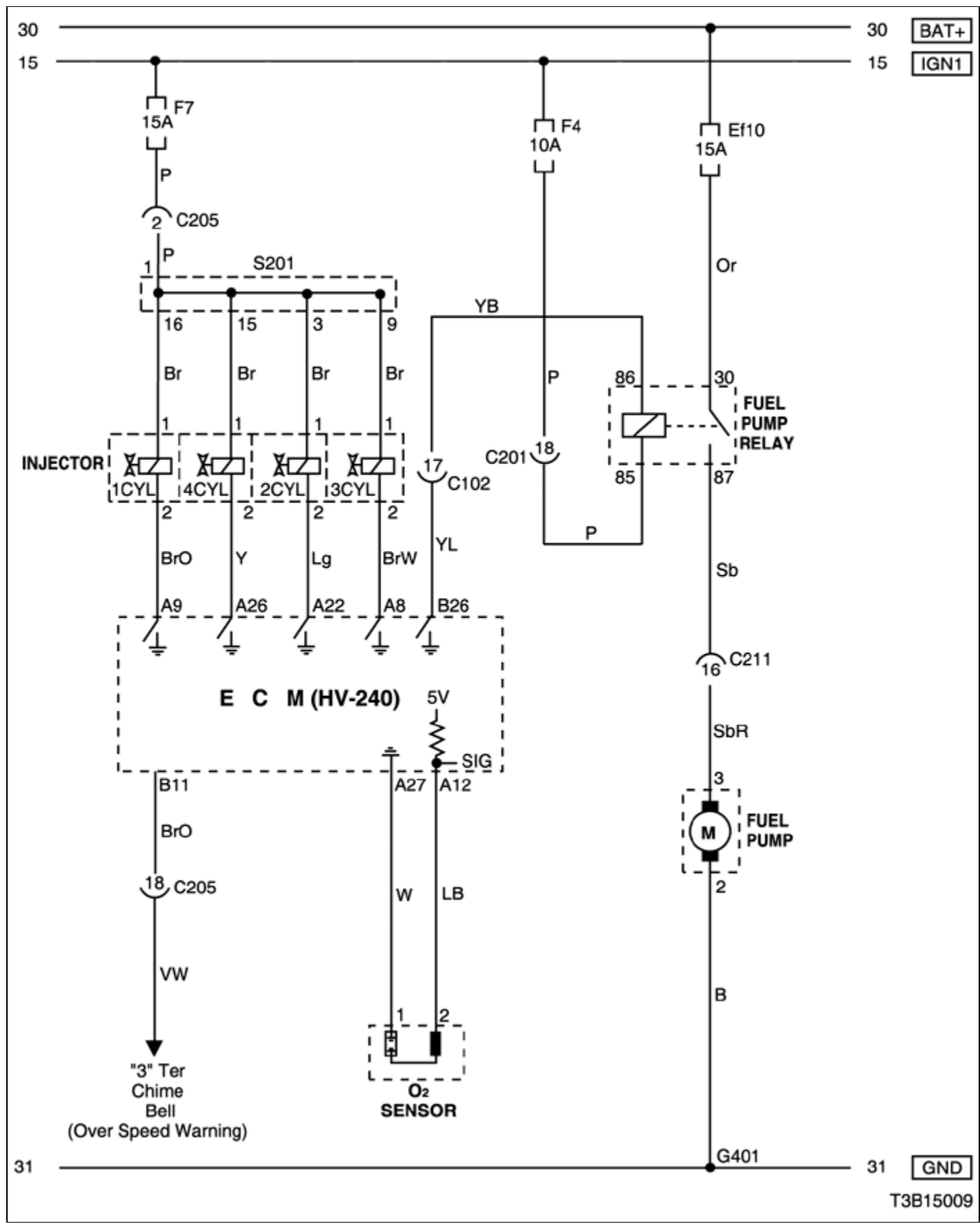


d. SPLICE PACK

S201



2) FUEL PUMP, INJECTOR & O2 SENSOR CIRCUIT

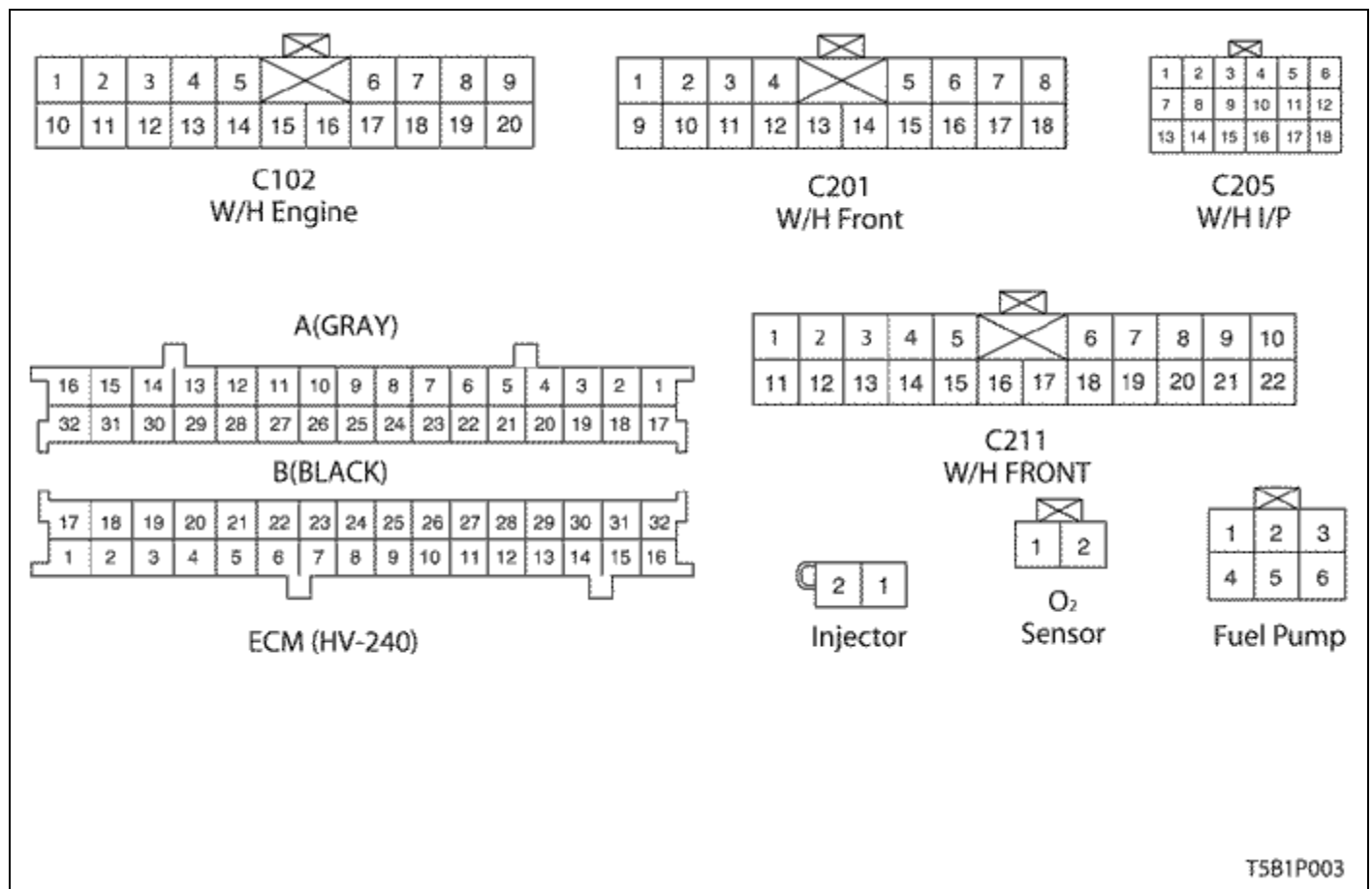




a. CONNECTOR INFORMATION

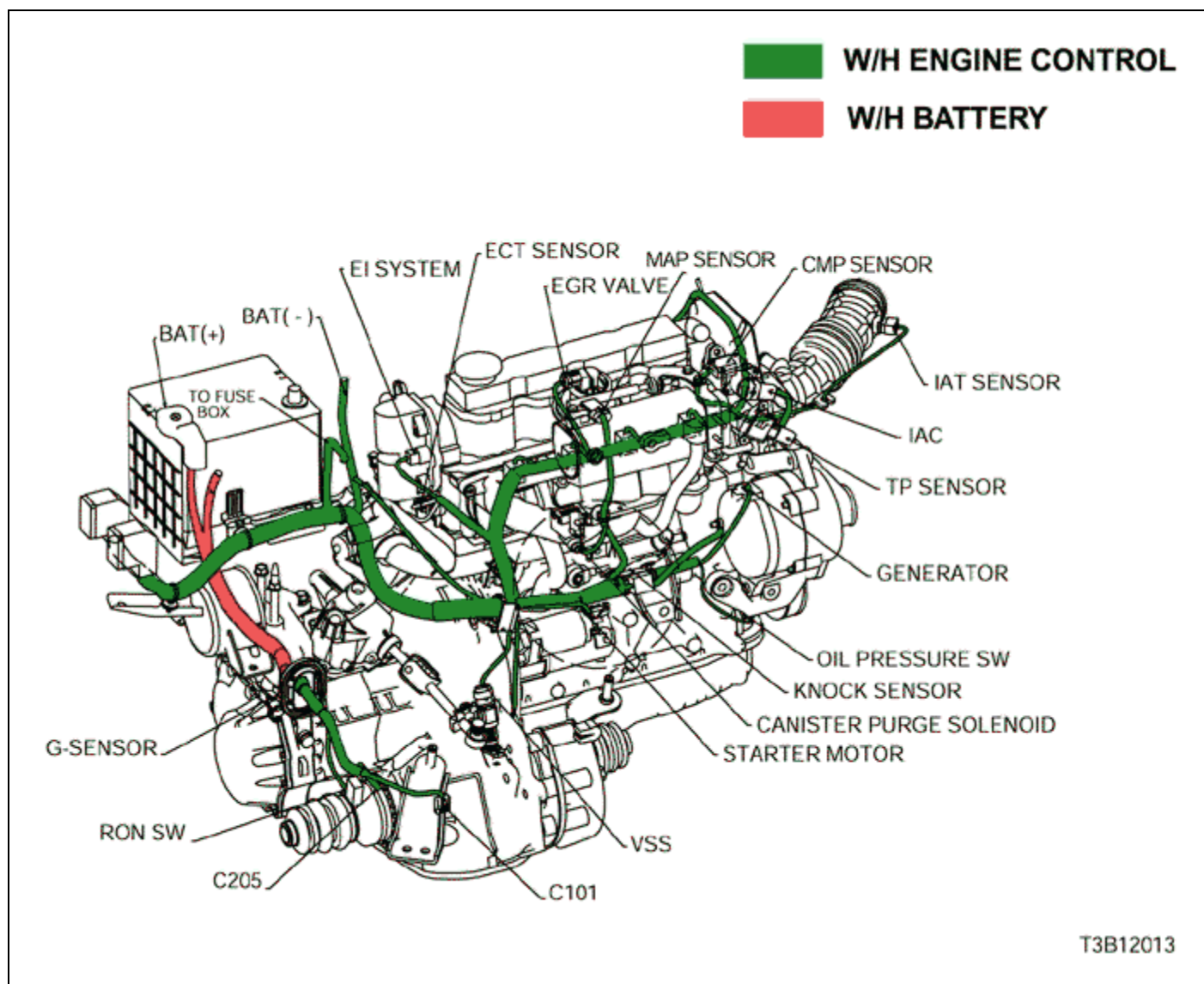
CONNECTOR NO (PIN NO, COLOR)	CONNECTING WIRING HARNESS	CONNECTOR POSITION
C102 (20 Pin, White)	Engine – Front	Engine Room Fuse Block
C201 (18 Pin, Blue)	Front – IP	Behind I/P Fuse Block
C205 (18 Pin, Gray)	IP – Engine	Behind I/P Fuse Block
C211 (22 Pin, Yellow)	Front – Body	Under Left A Pillar
G401	Body (H/B)	Left Tail Gate Panel

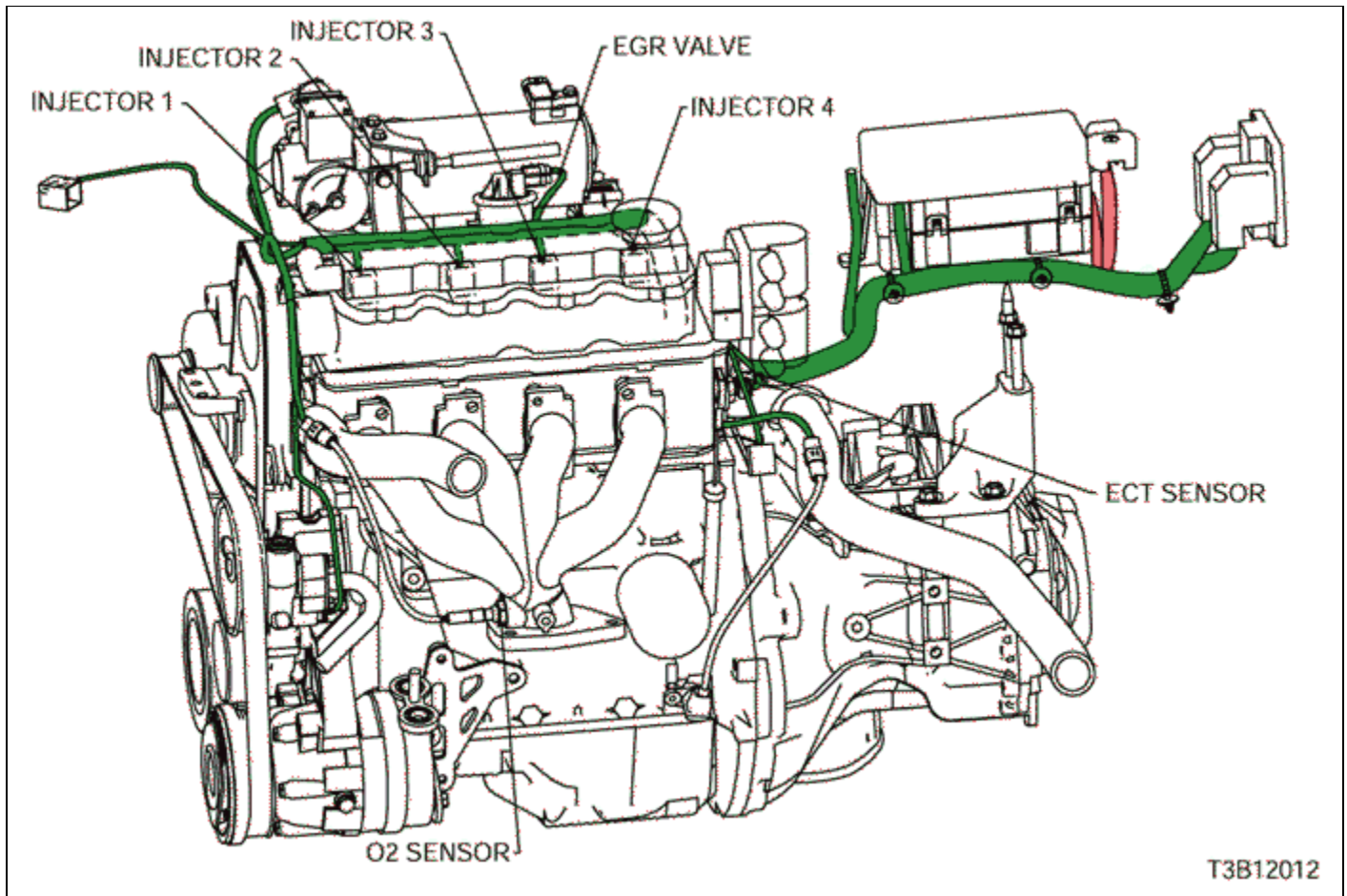
b. CONNECTOR IDENTIFICATION SYMBOL & PIN NUMBER POSITION



c. POSITION OF CONNECTORS AND GROUNDS

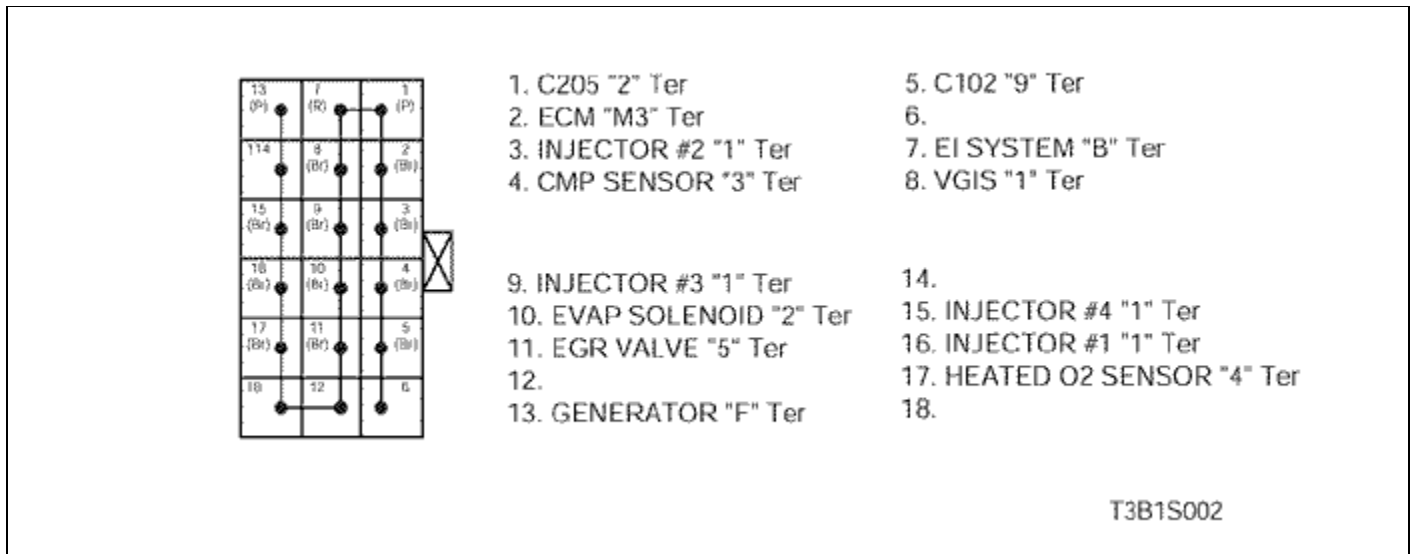
- W/H ENGINE



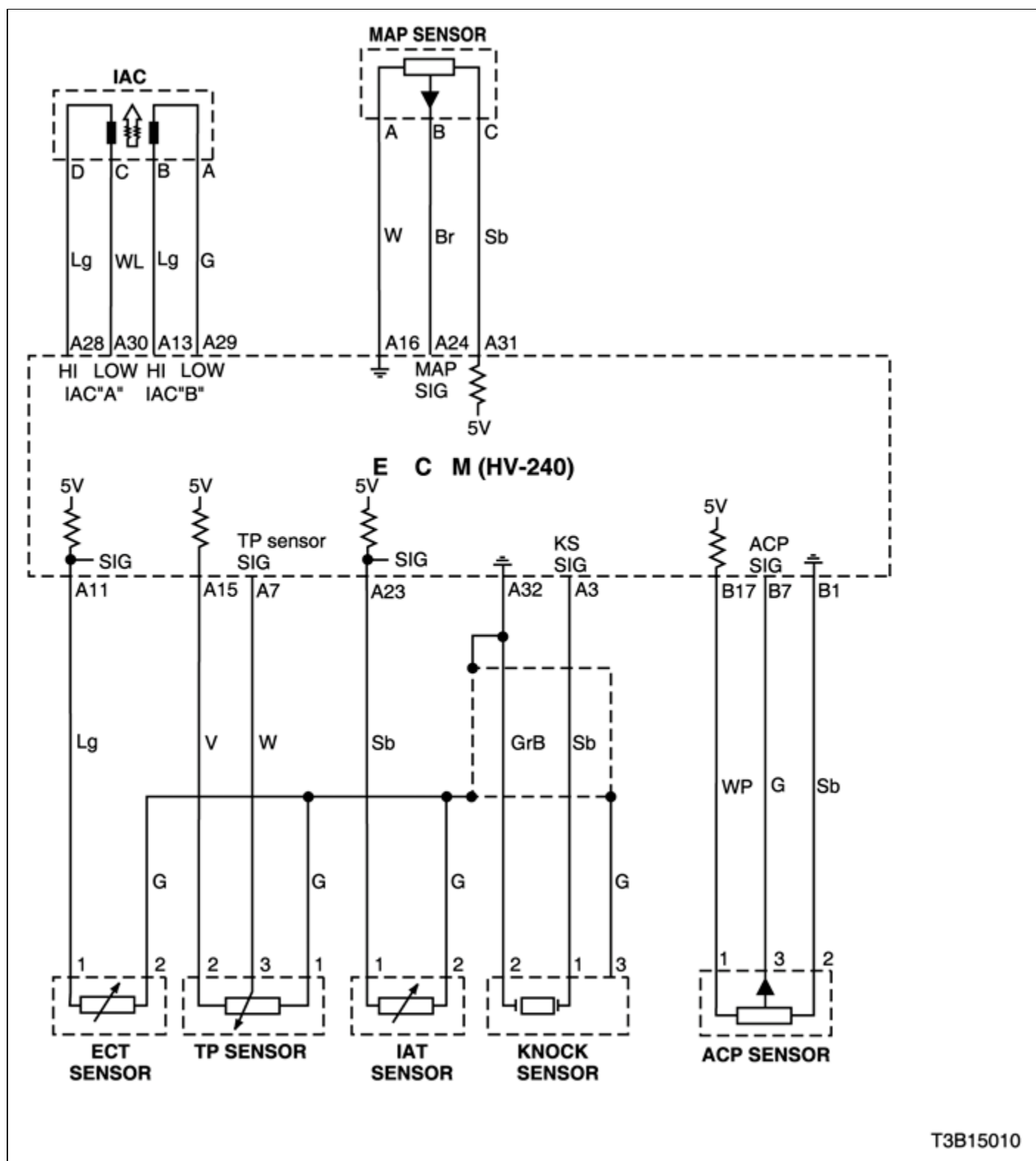


d. SPLICE PACK

S201



3) IAC & SENSOR (MAP, ECT, TP, IAT, KNOCK, ACP) CIRCUIT

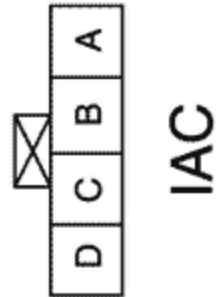
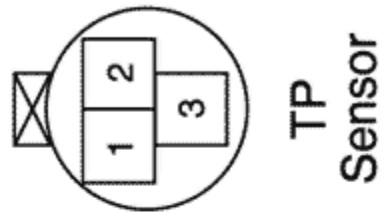
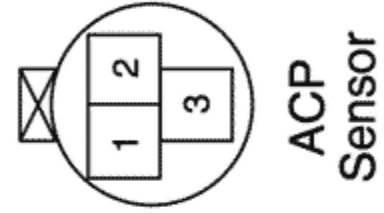
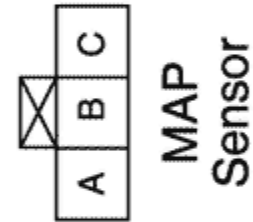
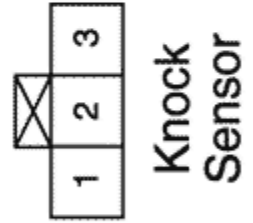
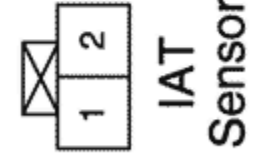
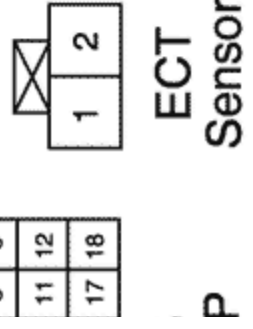


a. CONNECTOR INFORMATION

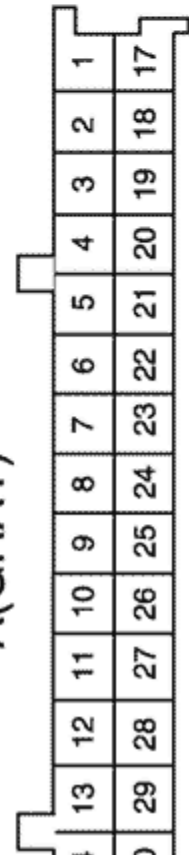
CONNECTOR NO (PIN NO, COLOR)	CONNECTING WIRING HARNESS	CONNECTOR POSITION
C205 (18 Pin, Gray)	IP – Engine	Behind I/P Fuse Block

b. CONNECTOR IDENTIFICATION SYMBOL & PIN NUMBER POSITION

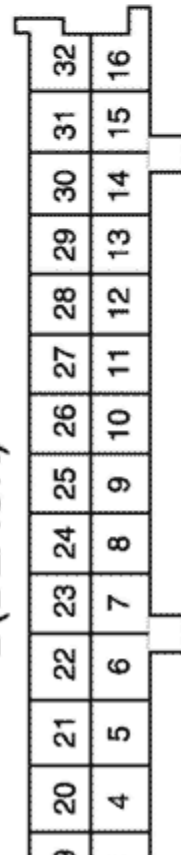
5	6
11	12
17	18



A(GRAY)



B(BLACK)



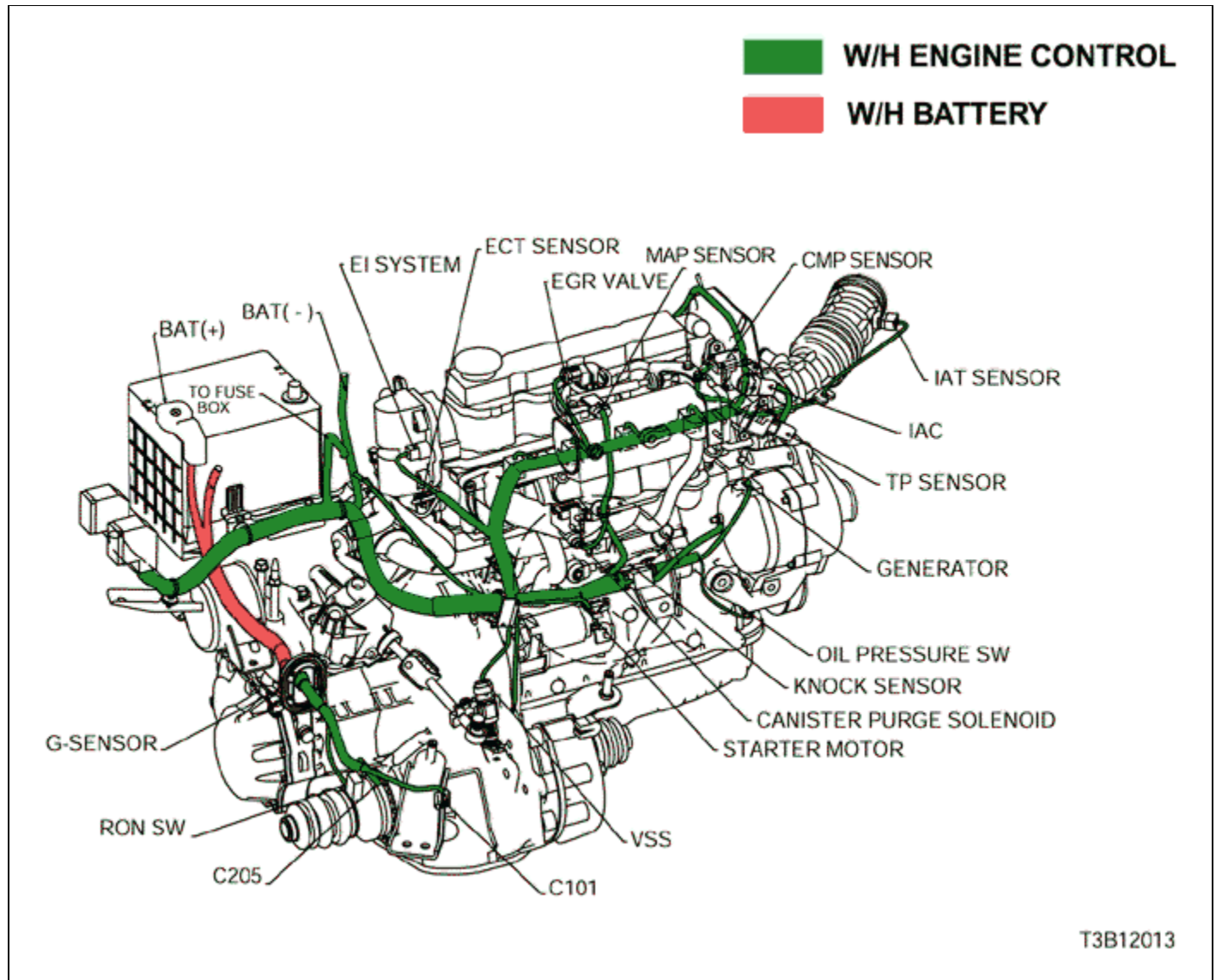
ECM (HV-240)

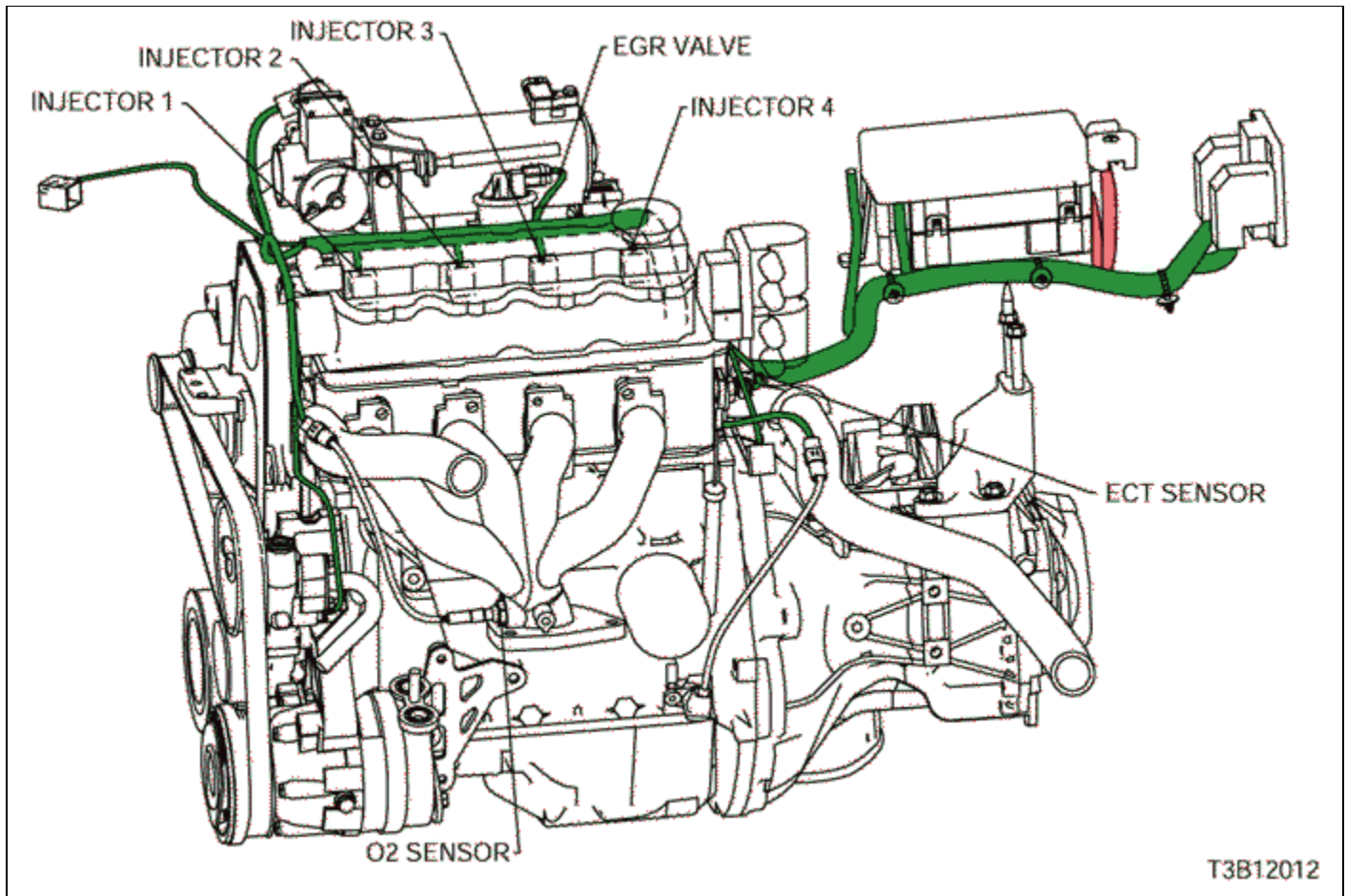
T3B1P010



c. POSITION OF CONNECTORS AND GROUNDS

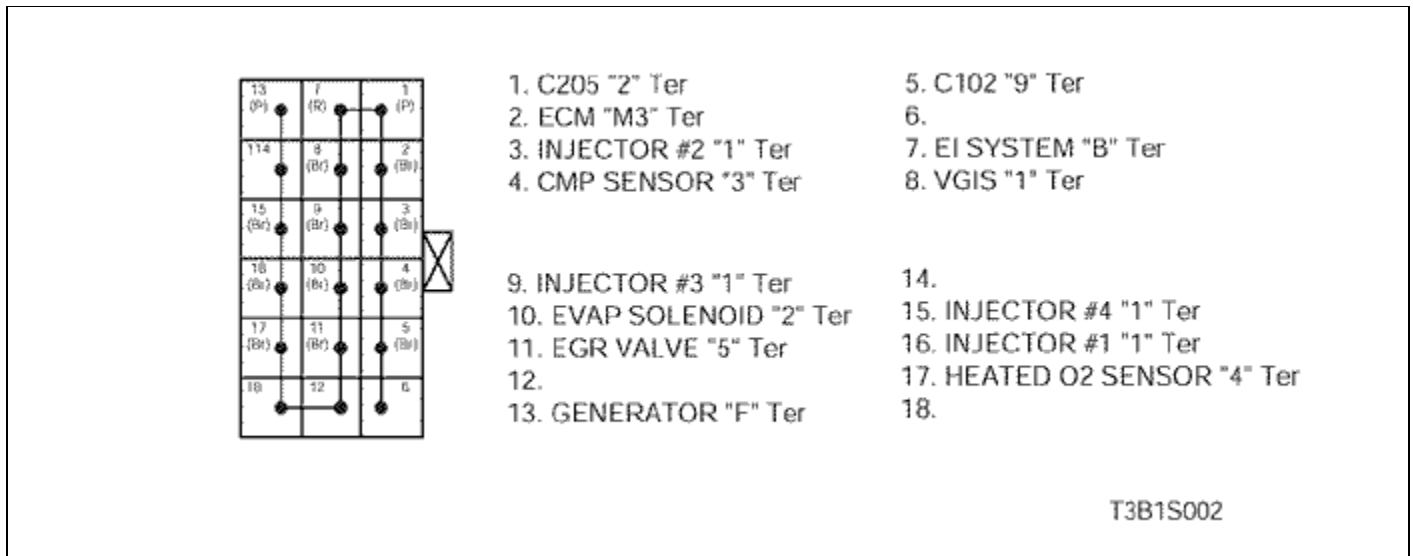
• W/H ENGINE



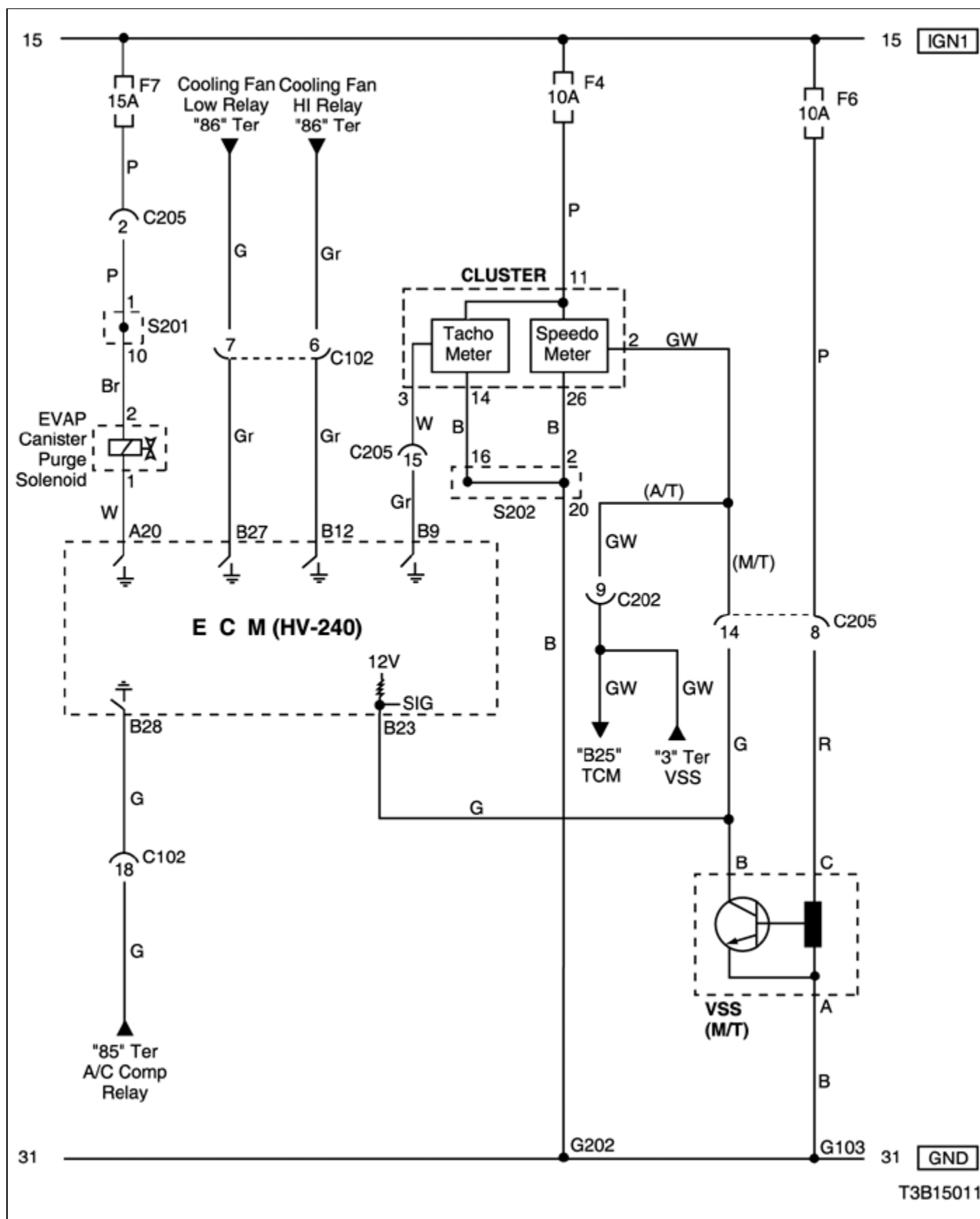


d. SPLICE PACK

S201



4) EVAP CANISTER PURGE SOLENOID, CLUSTER & VSS CIRCUIT

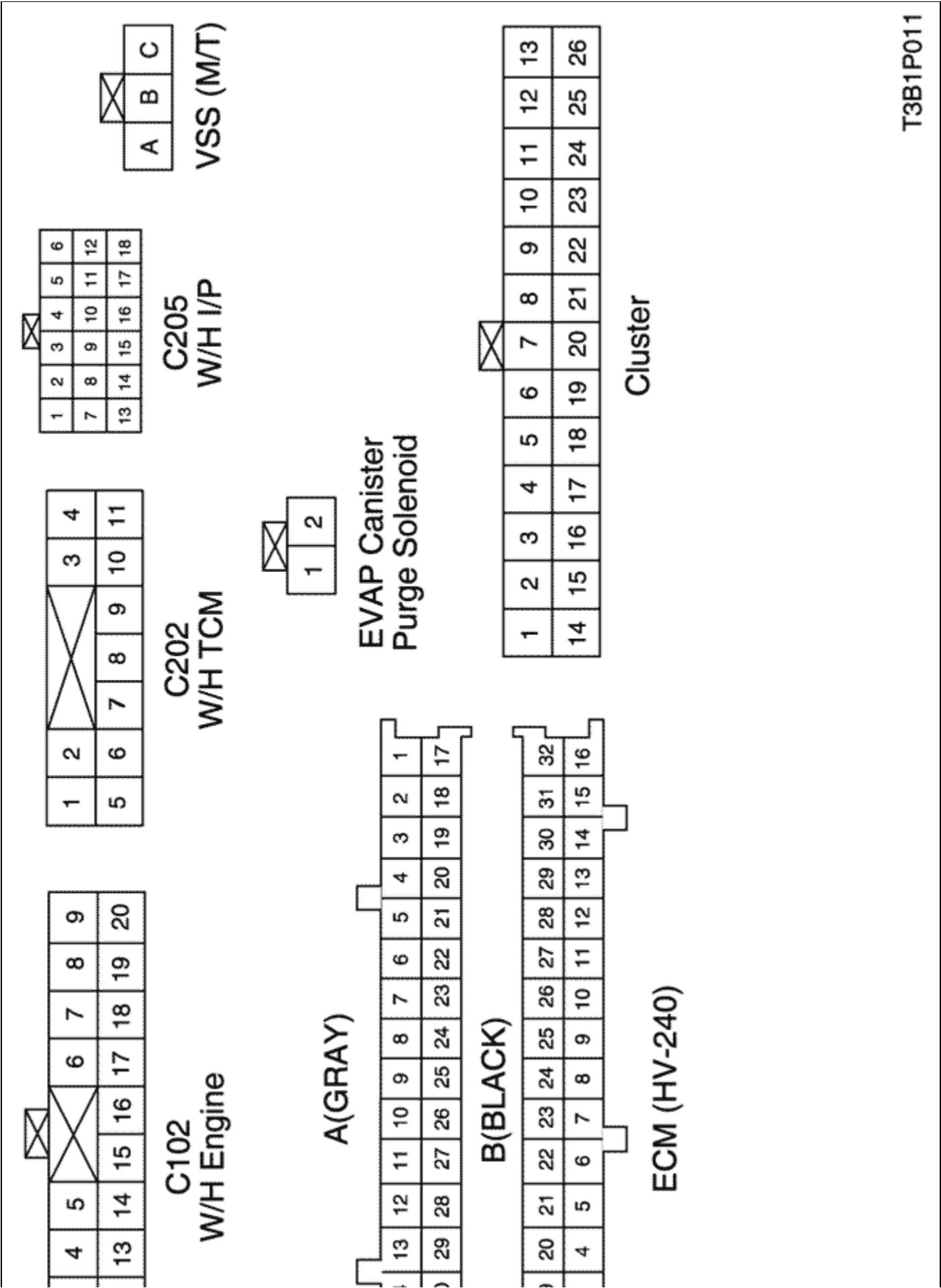


T3B15011

a. CONNECTOR INFORMATION

CONNECTOR NO (PIN NO, COLOR)	CONNECTING WIRING HARNESS	CONNECTOR POSITION
C102 (20 Pin, White)	Engine – Front	Engine Room Fuse Block
C202 (11 Pin, White)	TCM – IP	Behind I/P Fuse Block
C205 (18 Pin, Gray)	IP – Engine	Behind I/P Fuse Block
G103	Engine	Next to #4 Injector
G202	IP	Behind Right Ashtray

b. CONNECTOR IDENTIFICATION SYMBOL & PIN NUMBER POSITION

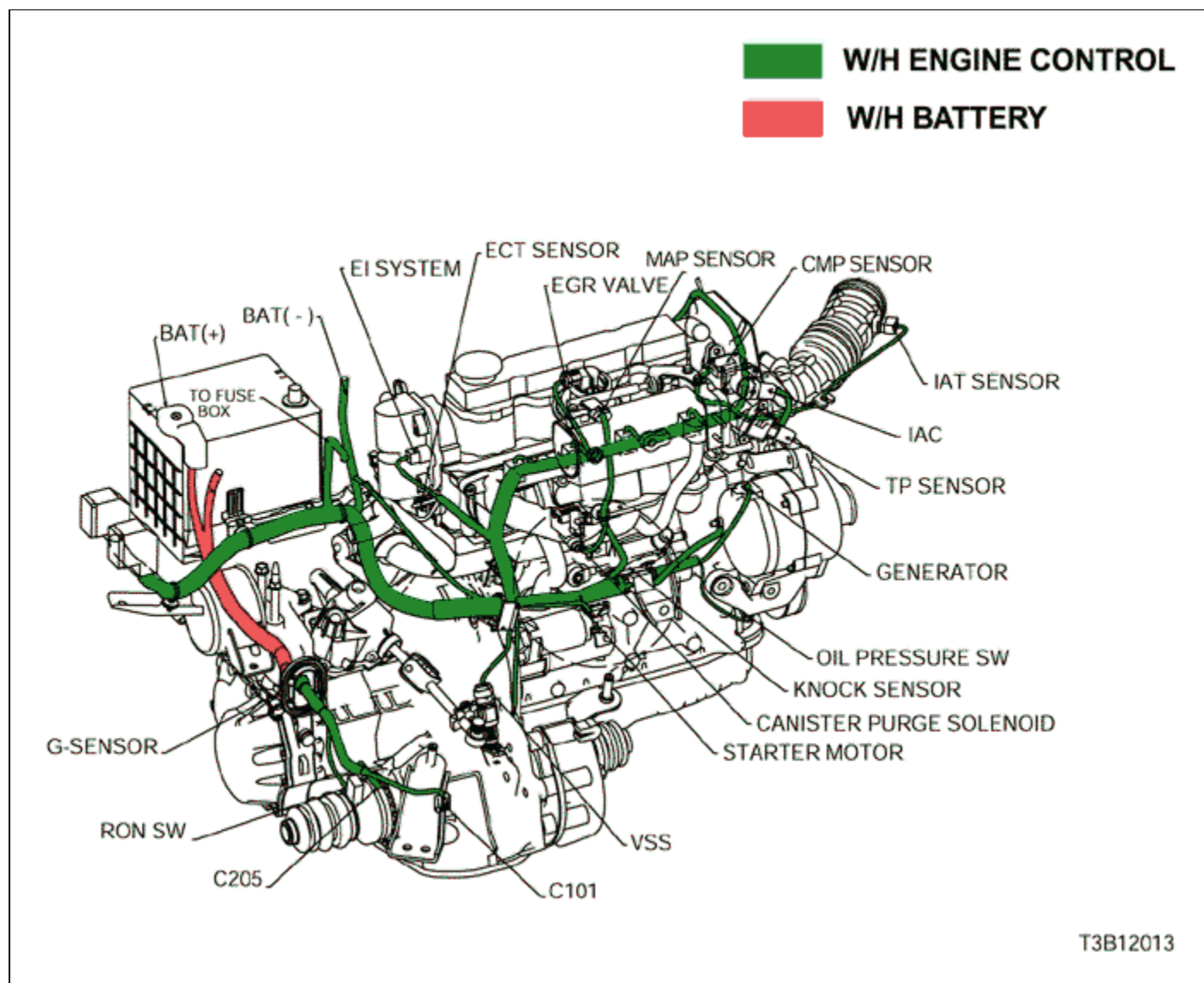


T3B1P011



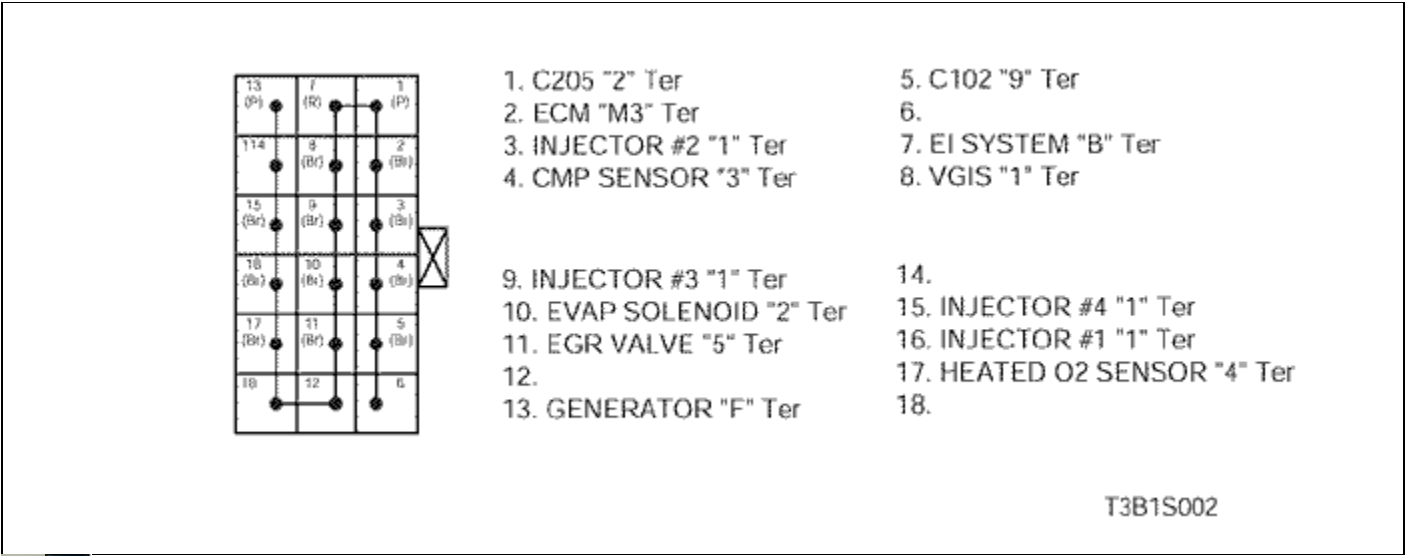
c. POSITION OF CONNECTORS AND GROUNDS

• W/H ENGINE

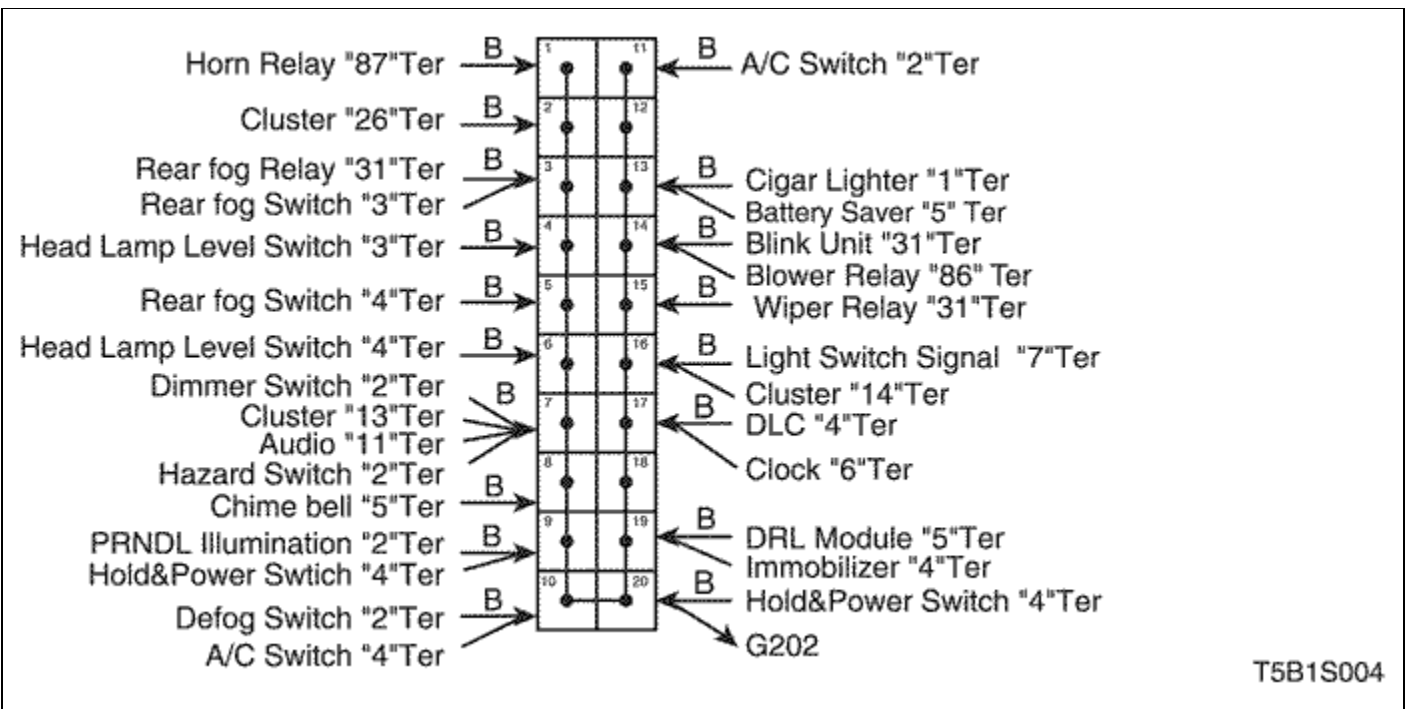


d. SPLICE PACK

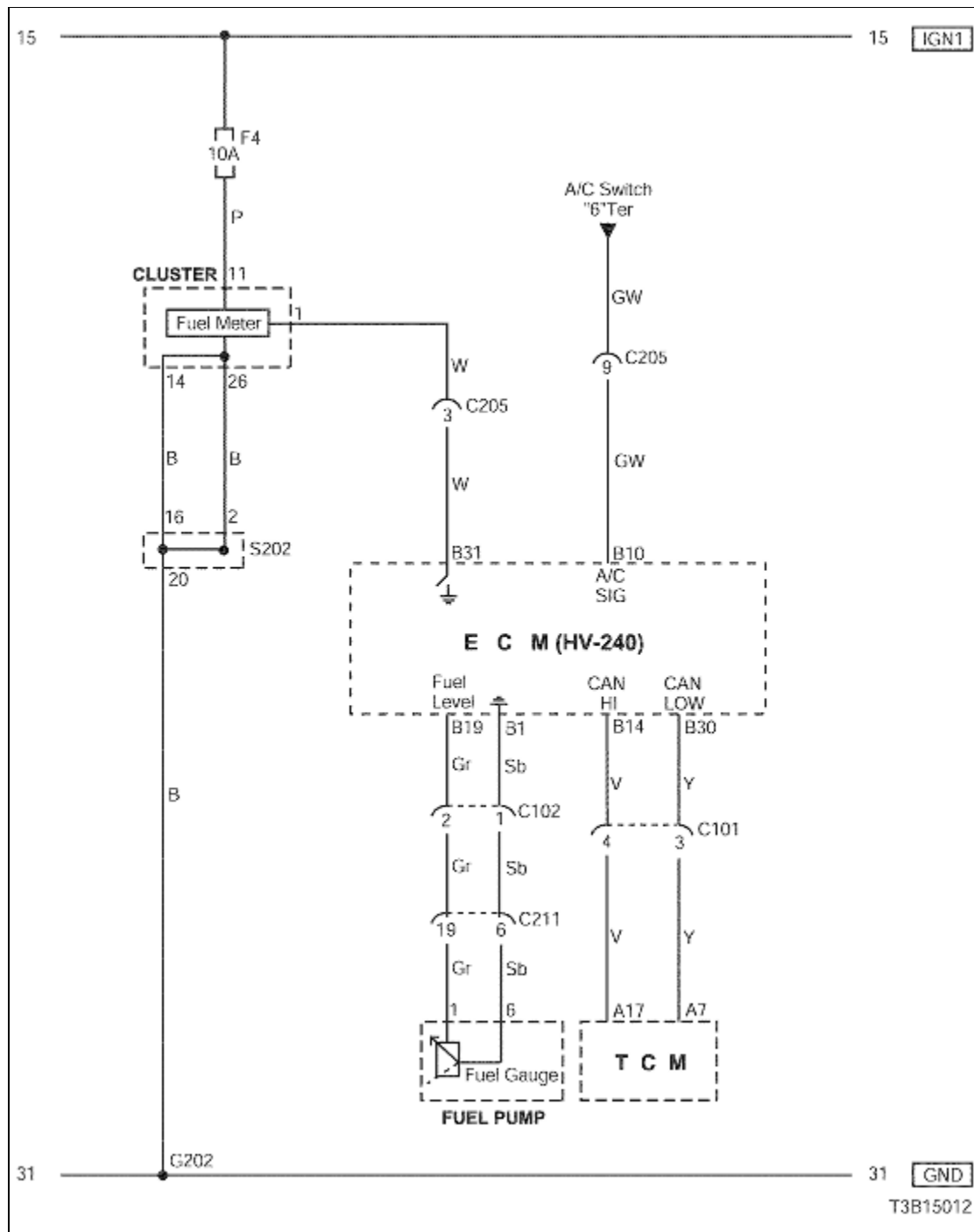
S201



S202



5) CLUSTER, FUEL PUMP & TCM CIRCUIT

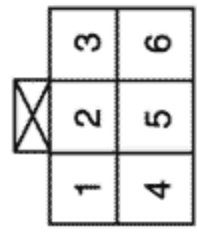


a. CONNECTOR INFORMATION

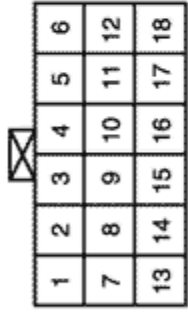
CONNECTOR NO (PIN NO, COLOR)	CONNECTING WIRING HARNESS	CONNECTOR POSITION
C101 (4 Pin, Black)	Engine – TCM	Behind Coolant Reservoir
C102 (20 Pin, White)	Engine – Front	Engine Room Fuse Block

CONNECTOR NO (PIN NO, COLOR)	CONNECTING WIRING HARNESS	CONNECTOR POSITION
C205 (18 Pin, Gray)	IP – Engine	Behind I/P Fuse Block
C211 (22 Pin, Yellow)	Front – Body	Under Left A Pillar
G202	IP	Behind Right Ashtray

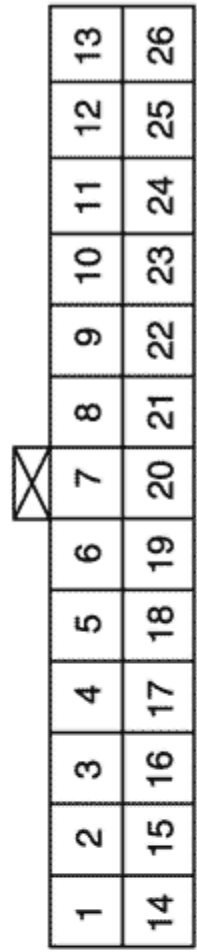
b. CONNECTOR IDENTIFICATION SYMBOL & PIN NUMBER POSITION



Fuel Pump

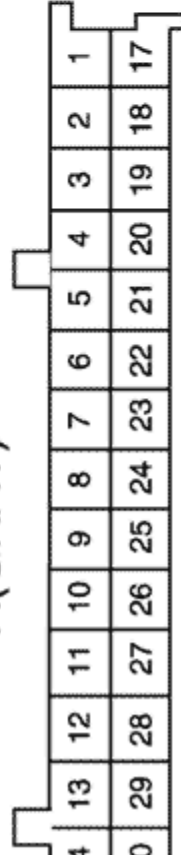


C205
W/H I/P

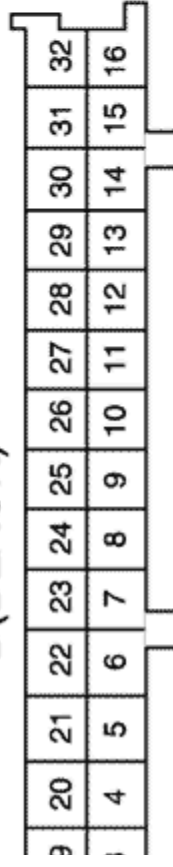


Cluster

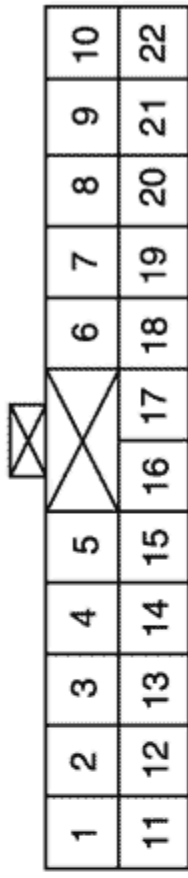
A(GRAY)



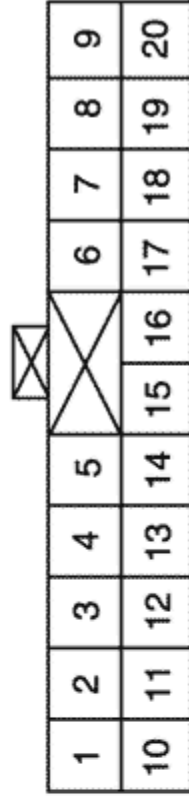
B(BLACK)



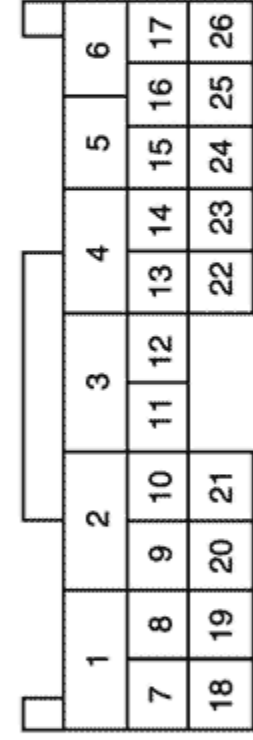
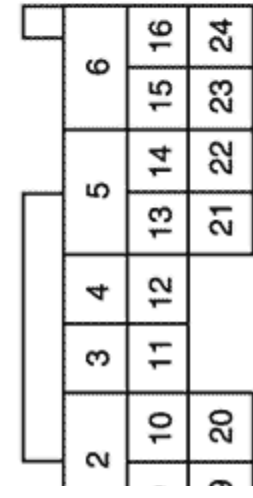
C211
W/H FRONT



C102
W/H Engine



ECM (HV-240)

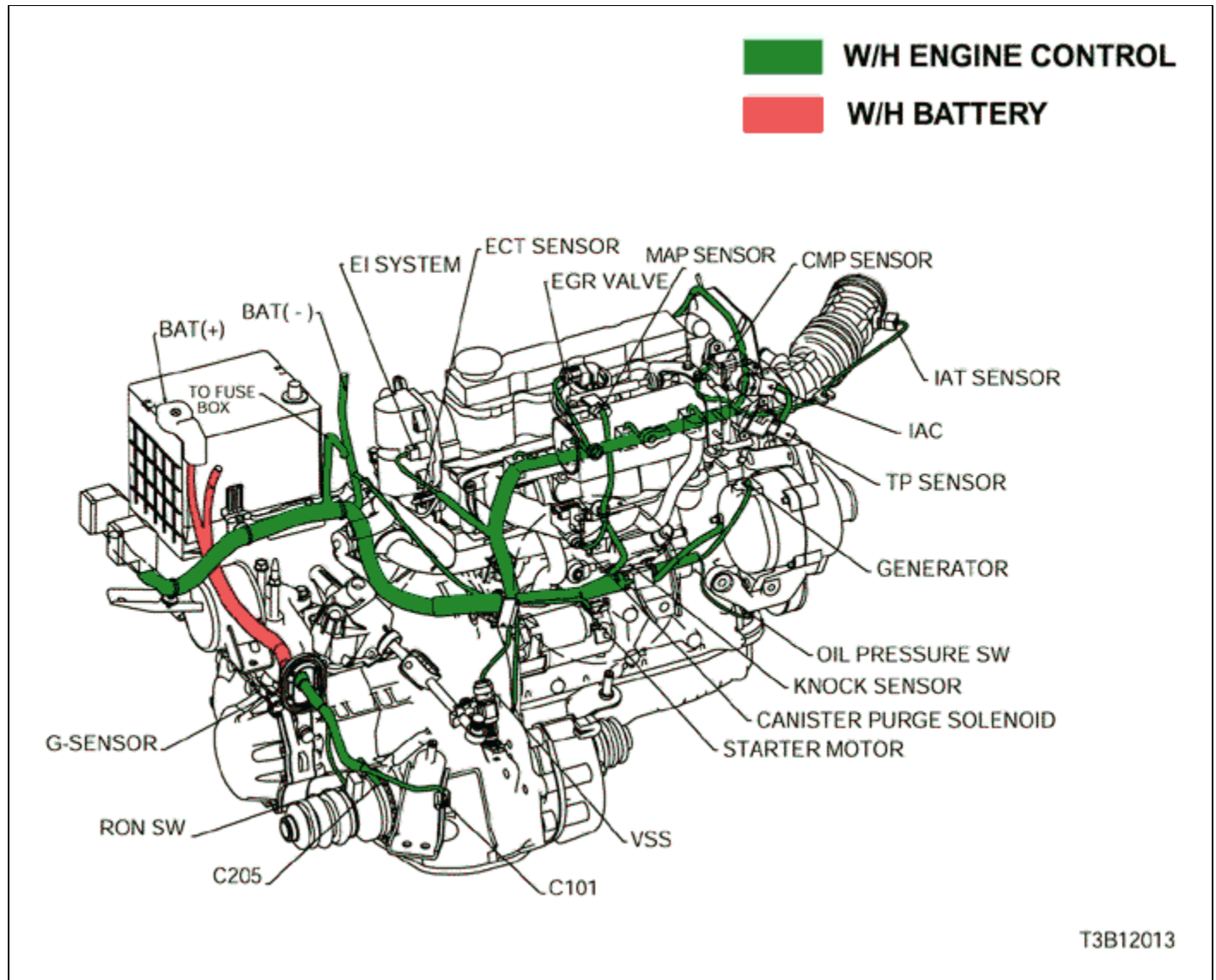


TCM

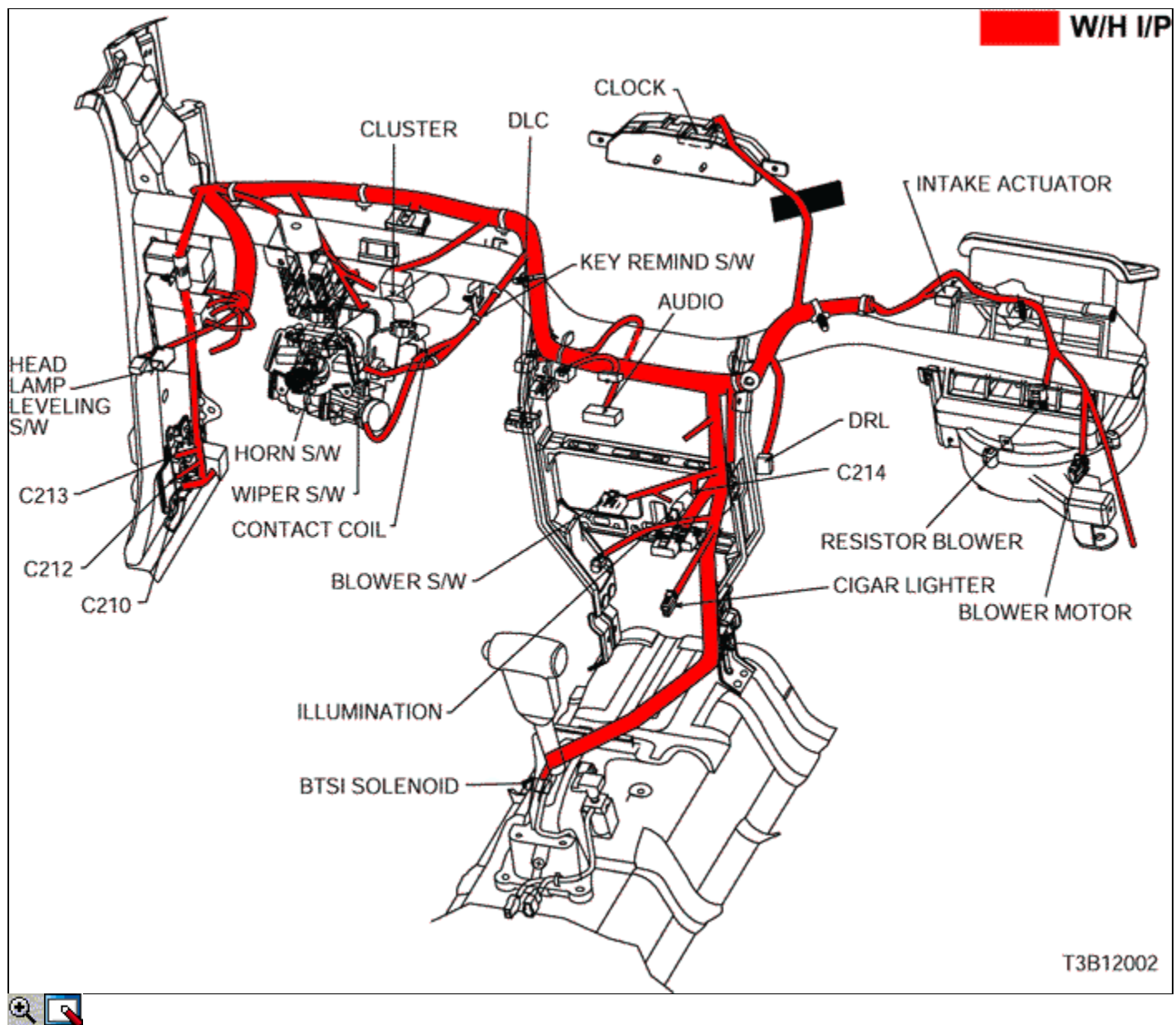


c. POSITION OF CONNECTORS AND GROUNDS

- W/H ENGINE

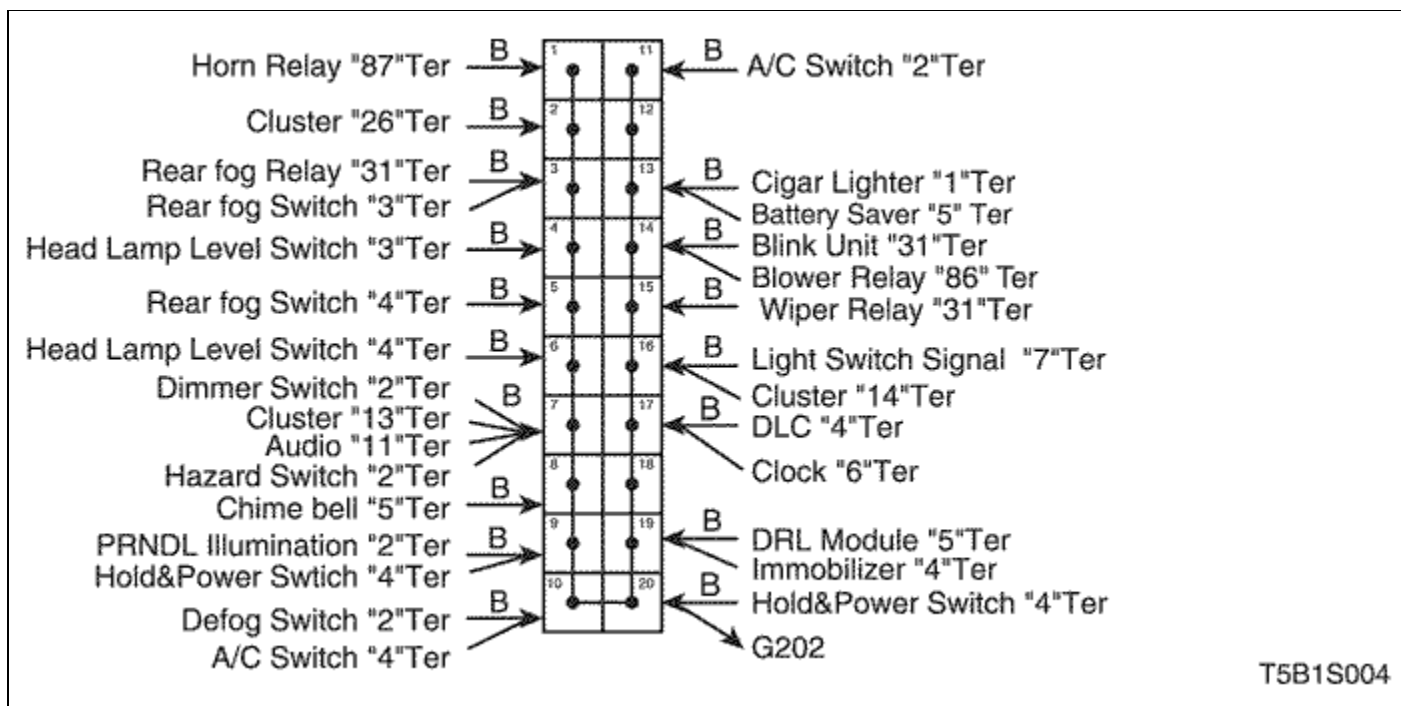


- W/H INSTRUMENT PANEL

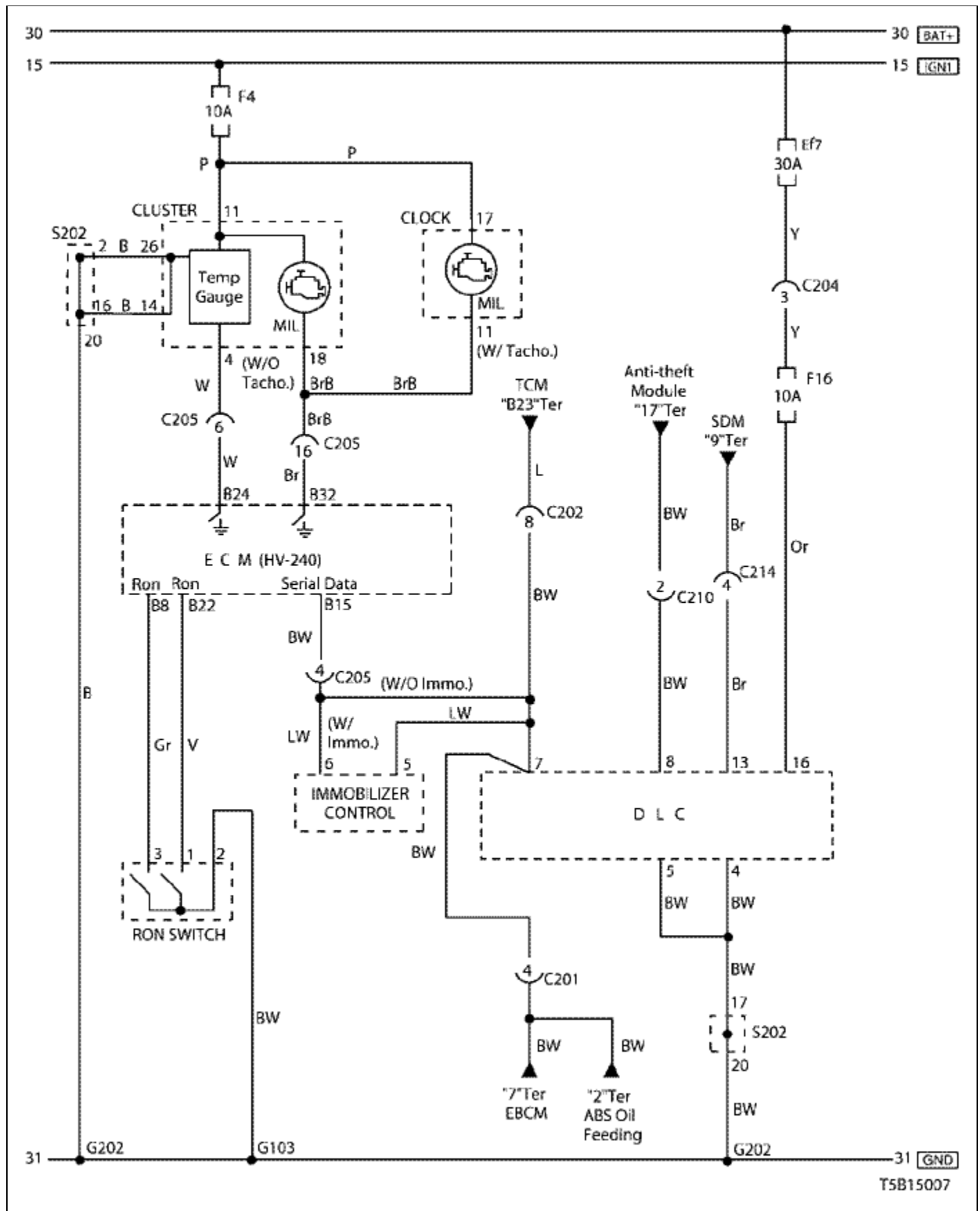


d. SPLICE PACK

S202



6) DLC, MIL & RON SWITCH CIRCUIT

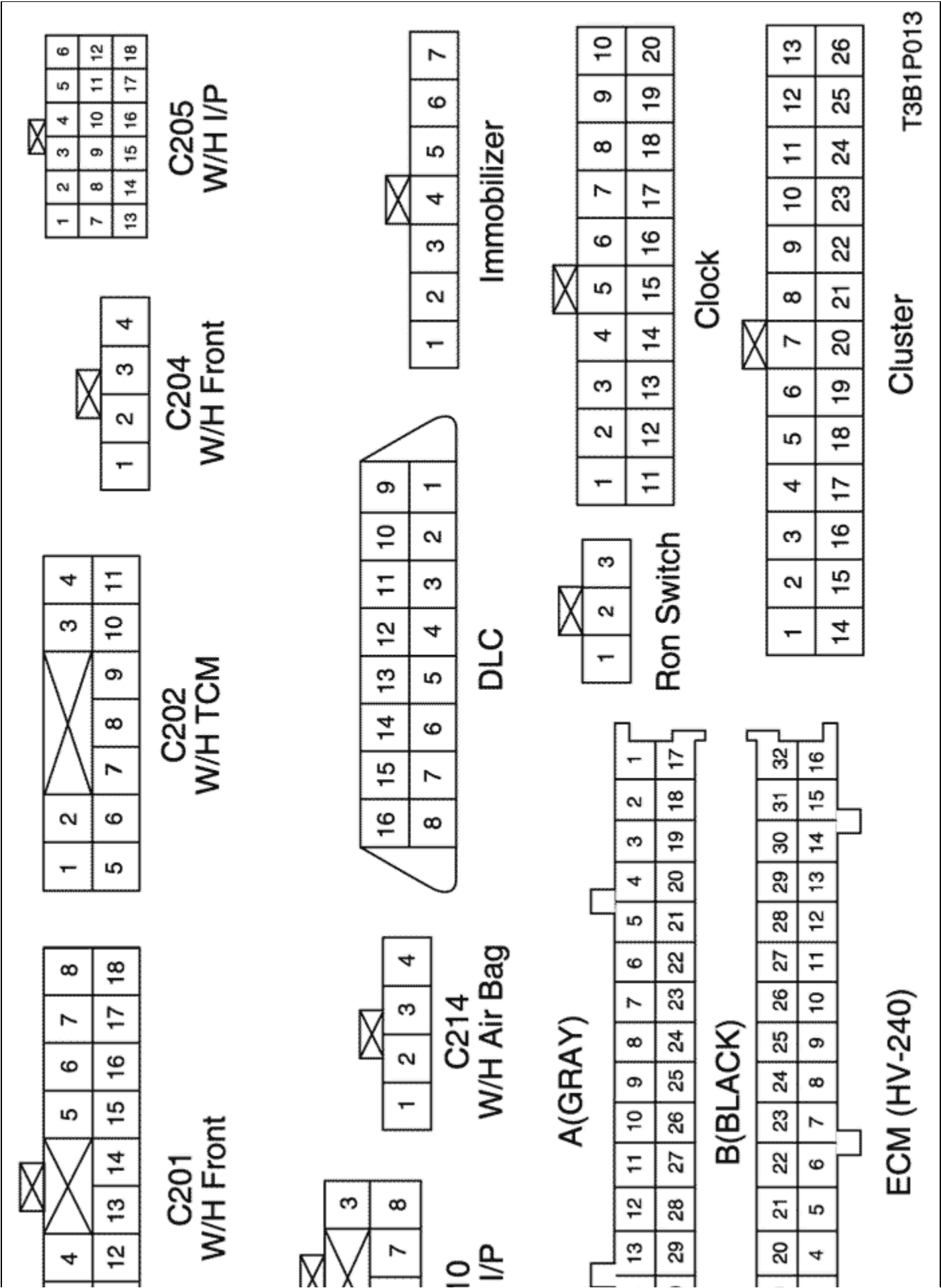


T5B15007

a. CONNECTOR INFORMATION

CONNECTOR NO (PIN NO, COLOR)	CONNECTING WIRING HARNESS	CONNECTOR POSITION
C201 (18 Pin, Blue)	Front – IP	Behind I/P Fuse Block
C202 (11 Pin, White)	TCM – IP	Behind I/P Fuse Block
C204 (4 Pin, White)	Front – IP	Behind I/P Fuse Block
C205 (18 Pin, Gray)	IP – Engine	Behind I/P Fuse Block
C210 (8 Pin, Green)	IP – Body	Under Left A Pillar
C214 (4 Pin, White)	Air Bag - IP	Behind Audio
G103	Engine	Next to #4 Injector
G202	IP	Behind Right Ashtray

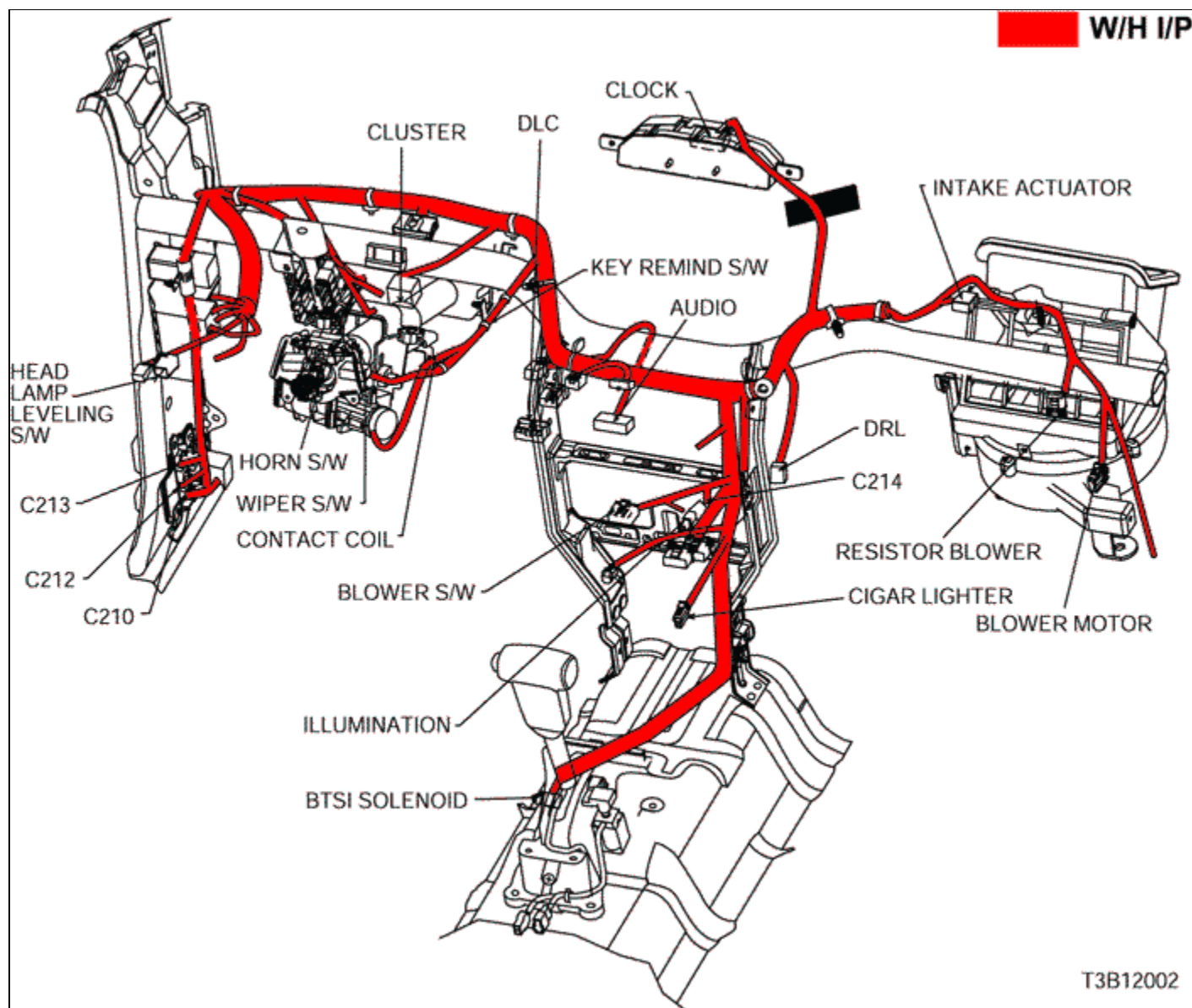
b. CONNECTOR IDENTIFICATION SYMBOL & PIN NUMBER POSITION

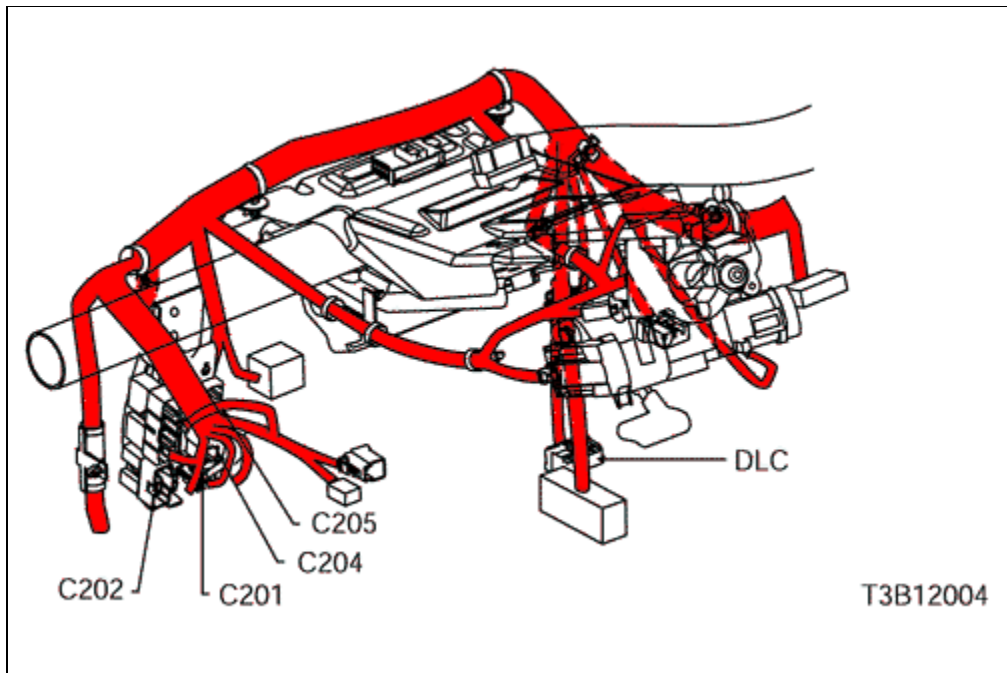




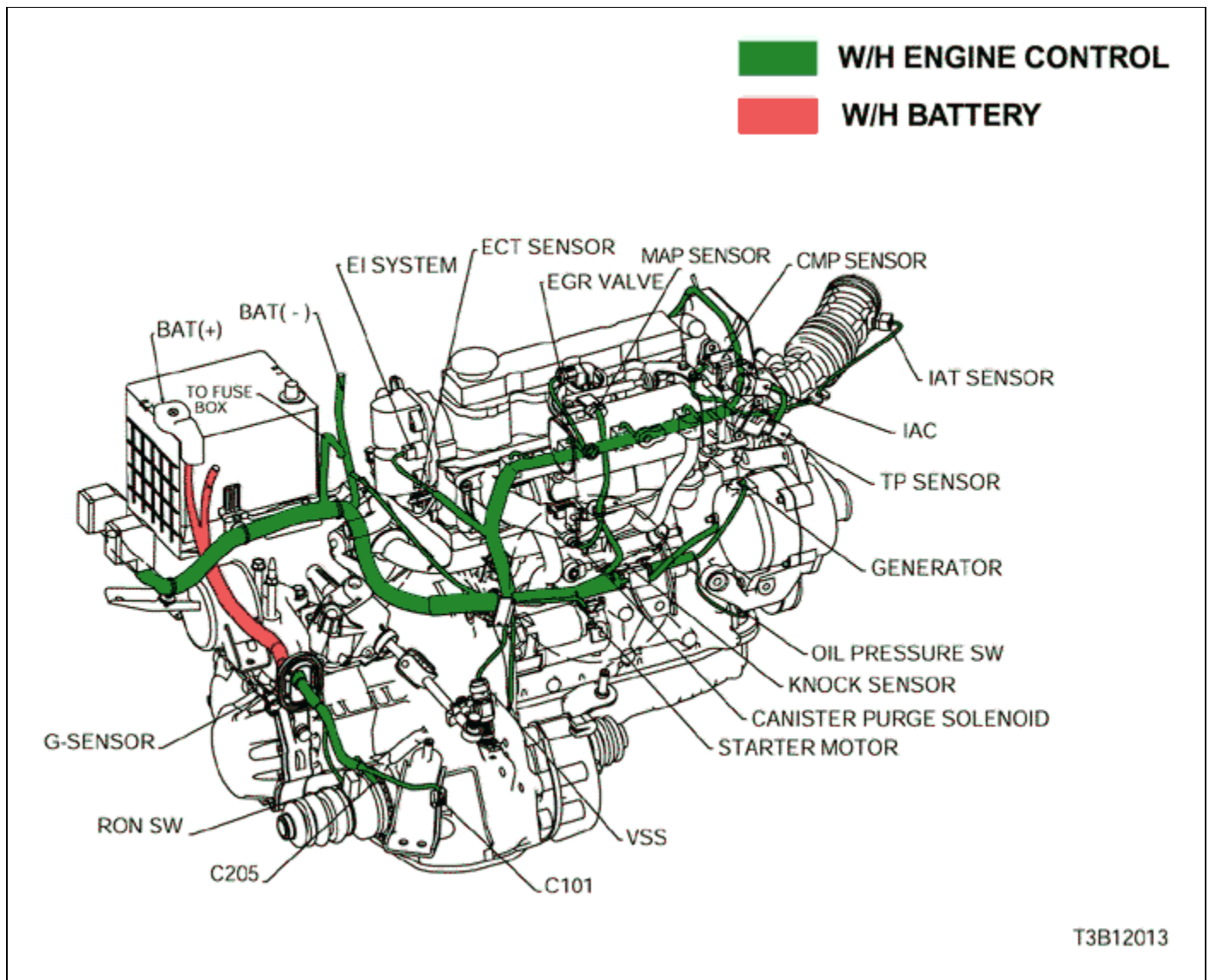
c. POSITION OF CONNECTORS AND GROUNDS

• W/H INSTRUMENT PANEL



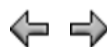
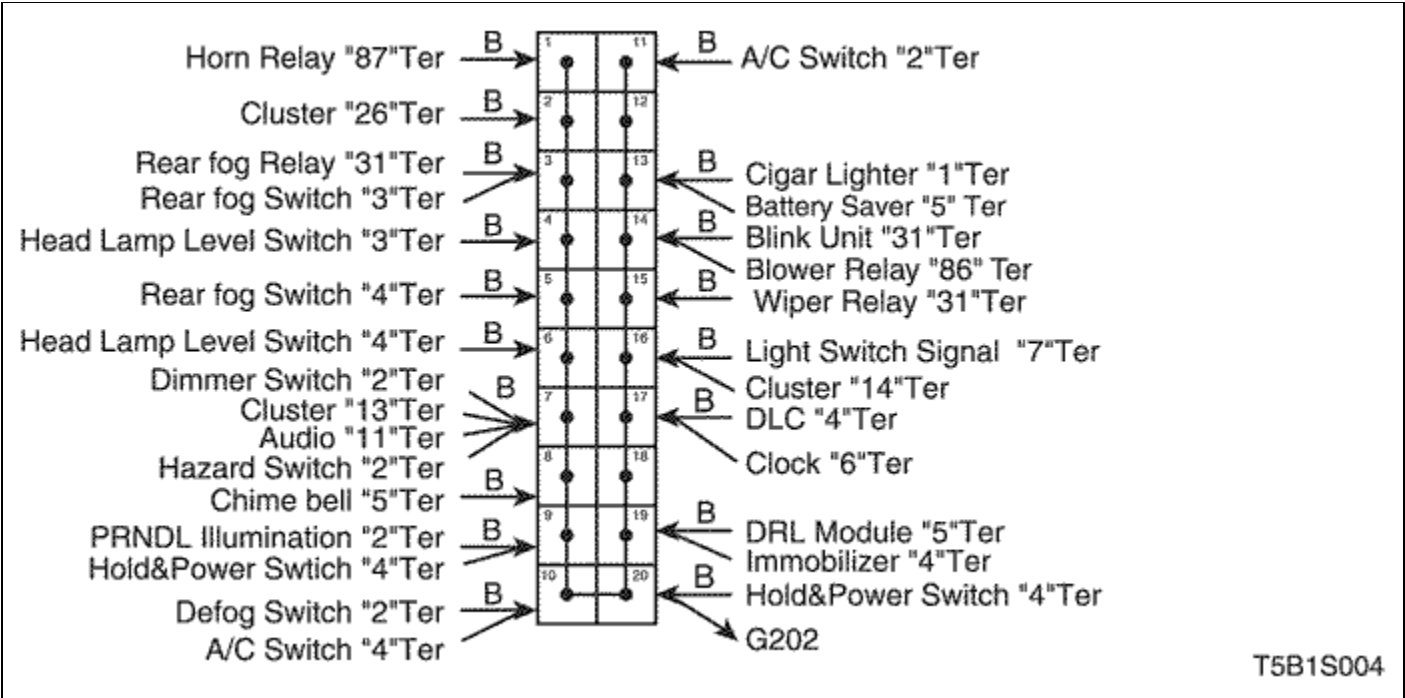


- **W/H ENGINE**



d. SPLICE PACK

S202



© Copyright General Motors Daewoo Europe. All rights reserved